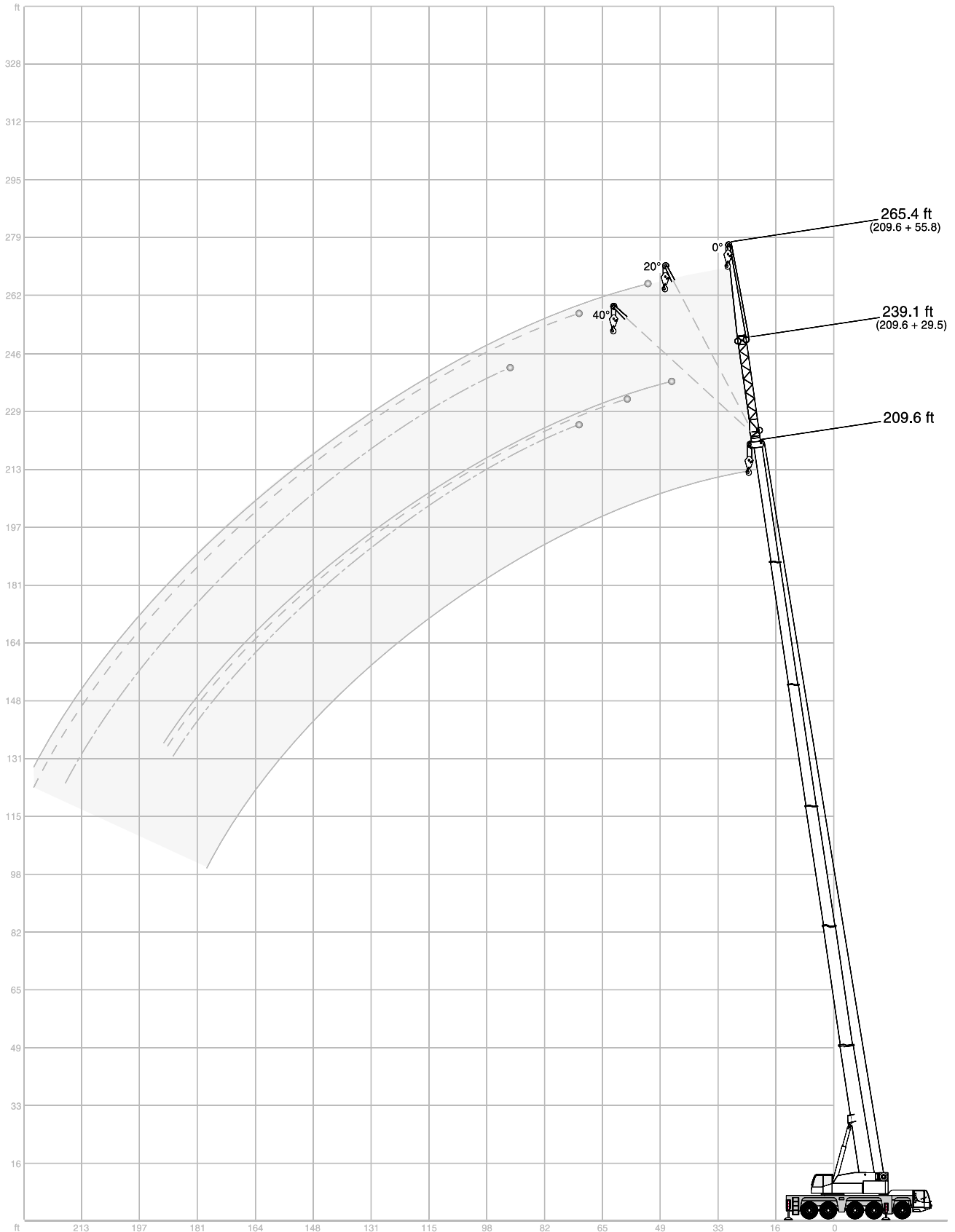




LIFTING CHARTS - All Terrain Cranes

DEMAG MODEL AC 160-2 - 200 TON CAPACITY

WORKING RANGES MAIN BOOM EXTENSION



STERLING CRANE

LIFTING CAPACITIES MAIN BOOM EXTENSION

119,500 lb

360°

85 %

58.1 ft Main boom		Extension					
Radius	29.5 ft			55.8 ft			
	0°	20°	40°	0°	20°	40°	
ft	1,000 lb						
10	43.4	-	-	-	-	-	
12	43.4	-	-	-	-	-	
13	43.4	-	-	30.4	-	-	
15	43.4	-	-	30.2	-	-	
16	43.4	-	-	29.8	-	-	
20	43.2	34.2	-	28.9	-	-	
23	41.7	32.0	-	28.2	-	-	
26	40.3	30.2	-	27.3	-	-	
30	38.8	28.7	21.8	26.2	-	-	
33	36.8	27.3	21.2	25.1	20.5	-	
39	32.4	24.7	19.8	22.9	19.2	-	
46	27.8	22.7	19.0	21.2	17.9	-	
53	25.1	20.9	18.1	19.4	16.8	14.8	
59	22.7	19.6	17.6	17.6	15.7	14.1	
66	20.7	18.3	17.2	16.3	14.6	13.4	
72	19.0	17.9	-	15.0	13.4	12.8	
79	-	-	-	13.7	12.6	12.1	
85	-	-	-	12.6	11.9	11.5	
92	-	-	-	11.9	11.2	11.0	
98	-	-	-	11.0	10.8	-	
105	-	-	-	-	-	-	
112	-	-	-	-	-	-	
118	-	-	-	-	-	-	

133.5 ft Main boom		Extension					
Radius	29.5 ft			55.8 ft			
	0°	20°	40°	0°	20°	40°	
ft	1,000 lb						
33	33.7	-	-	20.1	-	-	
39	29.8	26.2	-	19.6	-	-	
46	26.2	24.3	20.3	19.0	-	-	
53	23.8	22.5	19.6	18.3	-	-	
59	21.4	20.7	19.2	17.4	15.4	-	
66	19.0	19.0	18.1	16.3	14.6	-	
72	17.4	17.2	16.8	15.2	13.7	12.1	
79	16.1	15.7	15.7	13.9	13.0	11.7	
85	14.6	14.6	14.6	13.0	12.3	11.0	
92	13.2	13.2	13.4	12.1	11.5	10.6	
98	12.1	12.1	12.3	11.0	10.8	10.1	
105	11.2	11.2	11.2	10.1	10.1	9.7	
112	10.4	10.4	10.6	9.3	9.5	9.3	
118	9.7	9.7	9.7	8.6	8.8	8.6	
125	8.8	9.0	9.0	7.9	7.9	8.2	
131	8.4	8.4	6.4	7.5	7.5	7.7	
138	7.7	7.7	-	6.8	7.1	7.1	
144	7.3	7.3	-	6.4	6.6	6.6	
151	5.1	5.1	-	6.0	6.0	6.2	
158	4.6	-	-	5.5	5.5	4.2	
164	-	-	-	5.3	5.3	-	
177	-	-	-	3.1	3.1	-	
190	-	-	-	-	-	-	

193.9 ft Main boom		Extension					
Radius	29.5 ft			55.8 ft			
	0°	20°	40°	0°	20°	40°	
ft	1,000 lb						
53	21.2	-	-	13.4	-	-	
59	20.9	-	-	13.4	-	-	
66	19.6	19.2	-	13.4	-	-	
72	18.5	18.1	17.6	13.4	-	-	
79	17.4	17.0	16.8	13.2	12.3	-	
85	16.3	15.9	15.7	13.0	12.1	-	
92	15.2	15.0	14.8	12.3	11.7	10.8	
98	13.9	13.9	13.9	11.9	11.5	10.4	
105	13.0	13.0	13.0	11.2	11.0	10.1	
112	12.1	12.1	12.1	10.6	10.4	9.9	
118	11.5	11.5	11.5	9.9	9.9	9.5	
125	10.8	10.8	10.8	9.5	9.3	9.0	
131	9.9	10.1	10.1	8.8	8.8	8.8	
138	9.3	9.5	9.5	8.4	8.4	8.4	
144	8.6	8.8	8.8	7.7	7.9	7.9	
151	8.2	8.2	8.2	7.3	7.3	7.5	
158	7.5	7.5	7.7	6.6	6.8	7.1	
164	6.8	7.1	7.1	6.2	6.4	6.6	
177	5.3	5.7	6.0	5.3	5.5	5.7	
190	3.7	4.2	-	4.2	4.9	4.9	
203	2.6	2.6	-	2.9	3.5	3.7	
217	-	-	-	-	2.4	-	
230	-	-	-	-	-	-	

209.6 ft Main boom		Extension					
Radius	29.5 ft			55.8 ft			
	0°	20°	40°	0°	20°	40°	
ft	1,000 lb						
53	15.9	-	-	-	-	-	
59	15.9	-	-	10.4	-	-	
66	15.7	15.9	-	10.4	-	-	
72	15.2	15.4	-	10.4	-	-	
79	14.8	15.0	15.0	10.4	-	-	
85	14.1	14.1	14.1	10.4	10.1	-	
92	13.4	13.4	13.4	10.4	10.1	-	
98	12.6	12.6	12.6	9.9	9.9	9.9	
105	11.7	11.9	11.9	9.5	9.7	9.5	
112	10.8	11.0	11.2	9.0	9.5	9.3	
118	10.1	10.1	10.4	8.6	9.0	8.8	
125	9.5	9.5	9.7	8.2	8.4	8.6	
131	8.8	9.0	9.0	7.7	7.9	8.2	
138	8.4	8.4	8.6	7.3	7.5	7.5	
144	7.7	7.9	7.9	6.8	6.8	7.1	
151	7.1	7.3	7.3	6.4	6.6	6.6	
158	6.6	6.6	6.8	6.0	6.2	6.2	
164	6.2	6.2	6.4	5.5	5.7	6.0	
177	5.1	5.3	5.3	4.6	4.9	5.1	
190	3.5	4.0	4.2	3.7	4.2	4.2	
203	2.4	2.6	-	2.6	3.3	3.5	
217	-	-	-	-	-	2.4	
230	-	-	-	-	-	-	

STERLING CRANE

LIFTING CAPACITIES MAIN BOOM EXTENSION

86,000 lb

360°

85 %

58.1 ft Main boom						
Radius	Extension					
	29.5 ft			55.8 ft		
	0°	20°	40°	0°	20°	40°
ft	1,000 lb					
10	43.4	-	-	-	-	-
12	43.4	-	-	-	-	-
13	43.4	-	-	30.4	-	-
15	43.4	-	-	30.2	-	-
16	43.4	-	-	29.8	-	-
20	43.2	34.2	-	28.9	-	-
23	41.7	32.0	-	28.2	-	-
26	40.3	30.2	-	27.3	-	-
30	38.8	28.7	21.8	26.2	-	-
33	36.8	27.3	21.2	25.1	20.5	-
39	32.4	24.7	19.8	22.9	19.2	-
46	27.8	22.7	19.0	21.2	17.9	-
53	25.1	20.9	18.1	19.4	16.8	14.8
59	22.7	19.6	17.6	17.6	15.7	14.1
66	20.7	18.3	17.2	16.3	14.6	13.4
72	19.0	17.9	-	15.0	13.4	12.8
79	-	-	-	13.7	12.6	12.1
85	-	-	-	12.6	11.9	11.5
92	-	-	-	11.9	11.2	11.0
98	-	-	-	11.0	10.8	-
105	-	-	-	-	-	-
112	-	-	-	-	-	-
118	-	-	-	-	-	-

133.5 ft Main boom						
Radius	Extension					
	29.5 ft			55.8 ft		
	0°	20°	40°	0°	20°	40°
ft	1,000 lb					
33	33.7	-	-	20.1	-	-
39	29.8	26.2	-	19.6	-	-
46	26.2	24.3	20.3	19.0	-	-
53	23.8	22.5	19.6	18.3	-	-
59	21.4	20.7	19.2	17.4	15.4	-
66	19.0	19.0	18.1	16.3	14.6	-
72	17.4	17.2	16.8	15.2	13.7	12.1
79	16.1	15.7	15.7	13.9	13.0	11.7
85	14.6	14.6	14.6	13.0	12.3	11.0
92	13.2	13.2	13.4	12.1	11.5	10.6
98	12.1	12.1	12.3	11.0	10.8	10.1
105	11.2	11.2	11.2	10.1	10.1	9.7
112	10.4	10.4	10.6	9.3	9.5	9.3
118	9.7	9.7	9.7	8.6	8.8	8.6
125	8.8	9.0	9.0	7.9	7.9	8.2
131	8.4	8.4	6.4	7.5	7.5	7.7
138	7.7	7.7	-	6.8	7.1	7.1
144	7.3	7.3	-	6.4	6.6	6.6
151	5.1	5.1	-	6.0	6.0	6.2
158	4.6	-	-	5.5	5.5	4.2
164	-	-	-	5.3	5.3	-
177	-	-	-	3.1	3.1	-
190	-	-	-	-	-	-

193.9 ft Main boom						
Radius	Extension					
	29.5 ft			55.8 ft		
	0°	20°	40°	0°	20°	40°
ft	1,000 lb					
53	21.2	-	-	13.4	-	-
59	20.9	-	-	13.4	-	-
66	19.6	19.2	-	13.4	-	-
72	18.5	18.1	17.6	13.4	-	-
79	17.4	17.0	16.8	13.2	12.3	-
85	16.3	15.9	15.7	13.0	12.1	-
92	15.2	15.0	14.8	12.3	11.7	10.8
98	13.9	13.9	13.9	11.9	11.5	10.4
105	13.0	13.0	13.0	11.2	11.0	10.1
112	12.1	12.1	12.1	10.6	10.4	9.9
118	10.8	11.5	11.5	9.9	9.9	9.5
125	9.3	10.1	10.8	9.5	9.3	9.0
131	7.9	8.8	9.3	8.4	8.8	8.8
138	6.6	7.5	7.9	7.1	8.4	8.4
144	5.5	6.2	6.6	6.0	7.5	7.9
151	4.6	5.3	5.5	5.1	6.4	7.3
158	3.7	4.2	4.6	4.2	5.3	6.2
164	2.9	3.3	3.5	3.3	4.4	5.3
177	-	-	-	-	2.9	3.3

209.6 ft Main boom						
Radius	Extension					
	29.5 ft			55.8 ft		
	0°	20°	40°	0°	20°	40°
ft	1,000 lb					
53	15.9	-	-	-	-	-
59	15.9	-	-	10.4	-	-
66	15.7	15.9	-	10.4	-	-
72	15.2	15.4	-	10.4	-	-
79	14.8	15.0	15.0	10.4	-	-
85	14.1	14.1	14.1	10.4	10.1	-
92	13.4	13.4	13.4	10.4	10.1	-
98	12.6	12.6	12.6	9.9	9.9	9.9
105	11.7	11.9	11.9	9.5	9.7	9.5
112	10.8	11.0	11.2	9.0	9.5	9.3
118	10.1	10.1	10.4	8.6	9.0	8.8
125	9.0	9.5	9.7	8.2	8.4	8.6
131	7.7	8.6	9.0	7.7	7.9	8.2
138	6.4	7.3	7.9	6.8	7.5	7.5
144	5.3	6.2	6.6	5.7	6.8	7.1
151	4.4	5.1	5.5	4.6	6.2	6.6
158	3.5	4.2	4.4	3.7	5.1	6.2
164	2.6	3.3	3.5	3.1	4.2	5.1
177	-	-	-	-	2.6	3.3

STERLING CRANE

LIFTING CAPACITIES MAIN BOOM EXTENSION

119,500 lb

360°

85 %

58.1 ft Main boom		Extension					
Radius	82.0 ft			108.3 ft			
	0°	20°	40°	0°	20°	40°	
ft	1,000 lb						
20	24.7	-	-	-	-	-	
23	24.3	-	-	-	-	-	
26	23.6	-	-	18.7	-	-	
30	22.7	-	-	17.9	-	-	
33	21.8	-	-	17.2	-	-	
39	20.1	17.4	-	15.7	-	-	
46	18.1	16.1	-	14.3	13.2	-	
53	16.3	14.8	-	13.2	12.1	-	
59	15.0	13.4	12.6	11.9	11.0	-	
66	13.7	12.3	11.7	10.8	10.4	9.7	
72	12.1	11.2	10.8	9.9	9.5	9.0	
79	11.0	10.6	10.1	9.3	8.8	8.6	
85	10.1	9.7	9.5	8.4	8.2	7.9	
92	9.5	8.8	8.8	7.5	7.5	7.5	
98	8.6	8.4	8.2	6.8	6.8	6.8	
105	7.9	7.7	7.7	6.4	6.4	6.4	
112	7.5	7.3	7.3	6.0	5.7	6.0	
118	7.1	6.8	-	5.5	5.5	5.5	
125	6.6	6.6	-	5.1	5.1	5.1	
131	-	-	-	4.6	4.6	4.6	
138	-	-	-	4.4	4.4	-	
144	-	-	-	4.0	4.0	-	
151	-	-	-	3.7	3.7	-	

133.5 ft Main boom		Extension					
Radius	82.0 ft			108.3 ft			
	0°	20°	40°	0°	20°	40°	
ft	1,000 lb						
46	15.7	-	-	-	-	-	
53	15.0	-	-	11.0	-	-	
59	14.3	-	-	10.6	-	-	
66	13.4	11.9	-	10.1	-	-	
72	12.6	11.0	-	9.5	9.0	-	
79	11.7	10.4	9.7	9.0	8.4	-	
85	10.8	9.7	9.3	8.4	7.9	7.5	
92	10.1	9.3	8.6	7.9	7.3	7.1	
98	9.3	8.6	8.2	7.3	6.8	6.6	
105	8.6	8.2	7.7	6.6	6.4	6.2	
112	7.9	7.7	7.3	6.2	6.0	6.0	
118	7.5	7.1	7.1	5.7	5.5	5.5	
125	6.8	6.6	6.6	5.5	5.3	5.1	
131	6.2	6.2	6.2	5.1	4.9	4.9	
138	5.7	5.7	6.0	4.6	4.6	4.6	
144	5.3	5.3	5.5	4.2	4.2	4.2	
151	4.9	5.1	5.1	3.7	4.0	4.0	
158	4.4	4.6	4.6	3.5	3.7	3.7	
164	4.0	4.2	4.4	3.1	3.3	3.5	
177	3.3	3.5	2.2	2.6	2.9	2.9	
190	2.9	2.9	-	-	-	2.2	
203	-	-	-	-	-	-	
217	-	-	-	-	-	-	

193.9 ft Main boom		Extension					
Radius	82.0 ft			108.3 ft			
	0°	20°	40°	0°	20°	40°	
ft	1,000 lb						
59	9.3	-	-	-	-	-	
66	9.3	-	-	6.0	-	-	
72	9.3	-	-	6.0	-	-	
79	9.3	-	-	6.0	-	-	
85	9.3	8.8	-	6.0	-	-	
92	9.3	8.8	-	6.0	5.5	-	
98	9.3	8.6	8.2	6.0	5.5	-	
105	8.8	8.4	7.9	6.0	5.5	5.3	
112	8.4	7.9	7.5	5.7	5.5	5.3	
118	7.9	7.7	7.3	5.5	5.5	5.3	
125	7.5	7.3	7.1	5.5	5.5	5.1	
131	7.1	7.1	6.8	5.3	5.3	5.1	
138	6.8	6.8	6.6	5.1	5.1	4.9	
144	6.4	6.4	6.2	4.9	4.6	4.6	
151	6.0	6.0	6.0	4.6	4.4	4.4	
158	5.5	5.7	5.7	4.4	4.2	4.2	
164	5.1	5.3	5.5	4.0	4.0	4.0	
177	4.2	4.4	4.6	3.3	3.5	3.5	
190	3.5	3.7	4.0	2.6	2.9	3.1	
203	2.9	3.1	3.3	-	2.4	2.4	
217	-	2.2	2.6	-	-	-	

206.4 ft Main boom		Extension					
Radius	82.0 ft			108.3 ft			
	0°	20°	40°	0°	20°	40°	
ft	1,000 lb						
66	7.1	-	-	-	-	-	
72	7.1	-	-	4.2	-	-	
79	7.1	-	-	4.2	-	-	
85	7.1	6.8	-	4.2	-	-	
92	7.1	6.8	-	4.2	-	-	
98	7.1	6.8	-	4.2	-	-	
105	7.1	6.8	6.8	4.2	-	-	
112	6.8	6.8	6.8	4.2	-	-	
118	6.4	6.8	6.8	4.2	-	-	
125	6.2	6.6	6.6	4.0	-	-	
131	6.0	6.2	6.4	4.0	-	-	
138	5.7	6.0	6.2	3.7	-	-	
144	5.3	5.5	5.7	3.7	-	-	
151	5.1	5.3	5.5	3.5	-	-	
158	4.6	4.9	5.1	3.5	-	-	
164	4.2	4.4	4.9	3.3	-	-	
177	3.5	3.7	4.0	2.6	-	-	
190	2.9	3.1	3.3	-	-	-	
203	2.2	2.4	2.6	-	-	-	
217	-	-	-	-	-	-	
230	-	-	-	-	-	-	

STERLING CRANE

LIFTING CAPACITIES MAIN BOOM EXTENSION

86,000 lb

360°

85 %

58.1 ft Main boom		Extension					
Radius	82.0 ft			108.3 ft			
	0°	20°	40°	0°	20°	40°	
ft	1,000 lb						
20	24.7	-	-	-	-	-	
23	24.3	-	-	-	-	-	
26	23.6	-	-	18.7	-	-	
30	22.7	-	-	17.9	-	-	
33	21.8	-	-	17.2	-	-	
39	20.1	17.4	-	15.7	-	-	
46	18.1	16.1	-	14.3	13.2	-	
53	16.3	14.8	-	13.2	12.1	-	
59	15.0	13.4	12.6	11.9	11.0	-	
66	13.7	12.3	11.7	10.8	10.4	9.7	
72	12.1	11.2	10.8	9.9	9.5	9.0	
79	11.0	10.6	10.1	9.3	8.8	8.6	
85	10.1	9.7	9.5	8.4	8.2	7.9	
92	9.5	8.8	8.8	7.5	7.5	7.5	
98	8.6	8.4	8.2	6.8	6.8	6.8	
105	7.9	7.7	7.7	6.4	6.4	6.4	
112	7.5	7.3	7.3	6.0	5.7	6.0	
118	7.1	6.8	-	5.5	5.5	5.5	
125	6.6	6.6	-	5.1	5.1	5.1	
131	-	-	-	4.6	4.6	4.6	
138	-	-	-	4.4	4.4	-	
144	-	-	-	4.0	4.0	-	
151	-	-	-	3.7	3.7	-	

133.5 ft Main boom		Extension					
Radius	82.0 ft			108.3 ft			
	0°	20°	40°	0°	20°	40°	
ft	1,000 lb						
46	15.7	-	-	-	-	-	
53	15.0	-	-	11.0	-	-	
59	14.3	-	-	10.6	-	-	
66	13.4	11.9	-	10.1	-	-	
72	12.6	11.0	-	9.5	9.0	-	
79	11.7	10.4	9.7	9.0	8.4	-	
85	10.8	9.7	9.3	8.4	7.9	7.5	
92	10.1	9.3	8.6	7.9	7.3	7.1	
98	9.3	8.6	8.2	7.3	6.8	6.6	
105	8.6	8.2	7.7	6.6	6.4	6.2	
112	7.9	7.7	7.3	6.2	6.0	6.0	
118	7.5	7.1	7.1	5.7	5.5	5.5	
125	6.8	6.6	6.6	5.5	5.3	5.1	
131	6.2	6.2	6.2	5.1	4.9	4.9	
138	5.7	5.7	6.0	4.6	4.6	4.6	
144	5.3	5.3	5.5	4.2	4.2	4.2	
151	4.9	5.1	5.1	3.7	4.0	4.0	
158	4.4	4.6	4.6	3.5	3.7	3.7	
164	4.0	4.2	4.4	3.1	3.3	3.5	
177	3.3	3.5	2.2	2.6	2.9	2.9	
190	2.9	2.9	-	-	-	2.2	
203	-	-	-	-	-	-	
217	-	-	-	-	-	-	

193.9 ft Main boom		Extension					
Radius	82.0 ft			108.3 ft			
	0°	20°	40°	0°	20°	40°	
ft	1,000 lb						
59	9.3	-	-	-	-	-	
66	9.3	-	-	6.0	-	-	
72	9.3	-	-	6.0	-	-	
79	9.3	-	-	6.0	-	-	
85	9.3	8.8	-	6.0	-	-	
92	9.3	8.8	-	6.0	5.5	-	
98	9.3	8.6	8.2	6.0	5.5	-	
105	8.8	8.4	7.9	6.0	5.5	5.3	
112	8.4	7.9	7.5	5.7	5.5	5.3	
118	7.9	7.7	7.3	5.5	5.5	5.3	
125	7.5	7.3	7.1	5.5	5.5	5.1	
131	7.1	7.1	6.8	5.3	5.3	5.1	
138	6.8	6.8	6.6	5.1	5.1	4.9	
144	5.7	6.4	6.2	4.9	4.6	4.6	
151	4.9	6.0	6.0	4.4	4.4	4.4	
158	4.0	5.3	5.7	3.5	4.2	4.2	
164	3.1	4.4	5.3	2.6	4.0	4.0	
177	-	2.9	3.5	-	2.6	3.5	
190	-	-	-	-	-	-	

206.4 ft Main boom		Extension					
Radius	82.0 ft			108.3 ft			
	0°	20°	40°	0°	20°	40°	
ft	1,000 lb						
66	7.1	-	-	-	-	-	
72	7.1	-	-	4.2	-	-	
79	7.1	-	-	4.2	-	-	
85	7.1	6.8	-	4.2	-	-	
92	7.1	6.8	-	4.2	-	-	
98	7.1	6.8	-	4.2	-	-	
105	7.1	6.8	6.8	4.2	-	-	
112	6.8	6.8	6.8	4.2	-	-	
118	6.4	6.8	6.8	4.2	-	-	
125	6.2	6.6	6.6	4.0	-	-	
131	6.0	6.2	6.4	4.0	-	-	
138	5.7	6.0	6.2	3.7	-	-	
144	5.3	5.5	5.7	3.7	-	-	
151	4.4	5.3	5.5	3.5	-	-	
158	3.5	4.9	5.1	3.1	-	-	
164	2.9	4.2	4.9	2.2	-	-	
177	-	2.6	3.5	-	-	-	
190	-	-	-	-	-	-	
203	-	-	-	-	-	-	

STERLING CRANE

WORKING RANGES MAIN BOOM EXTENSION

