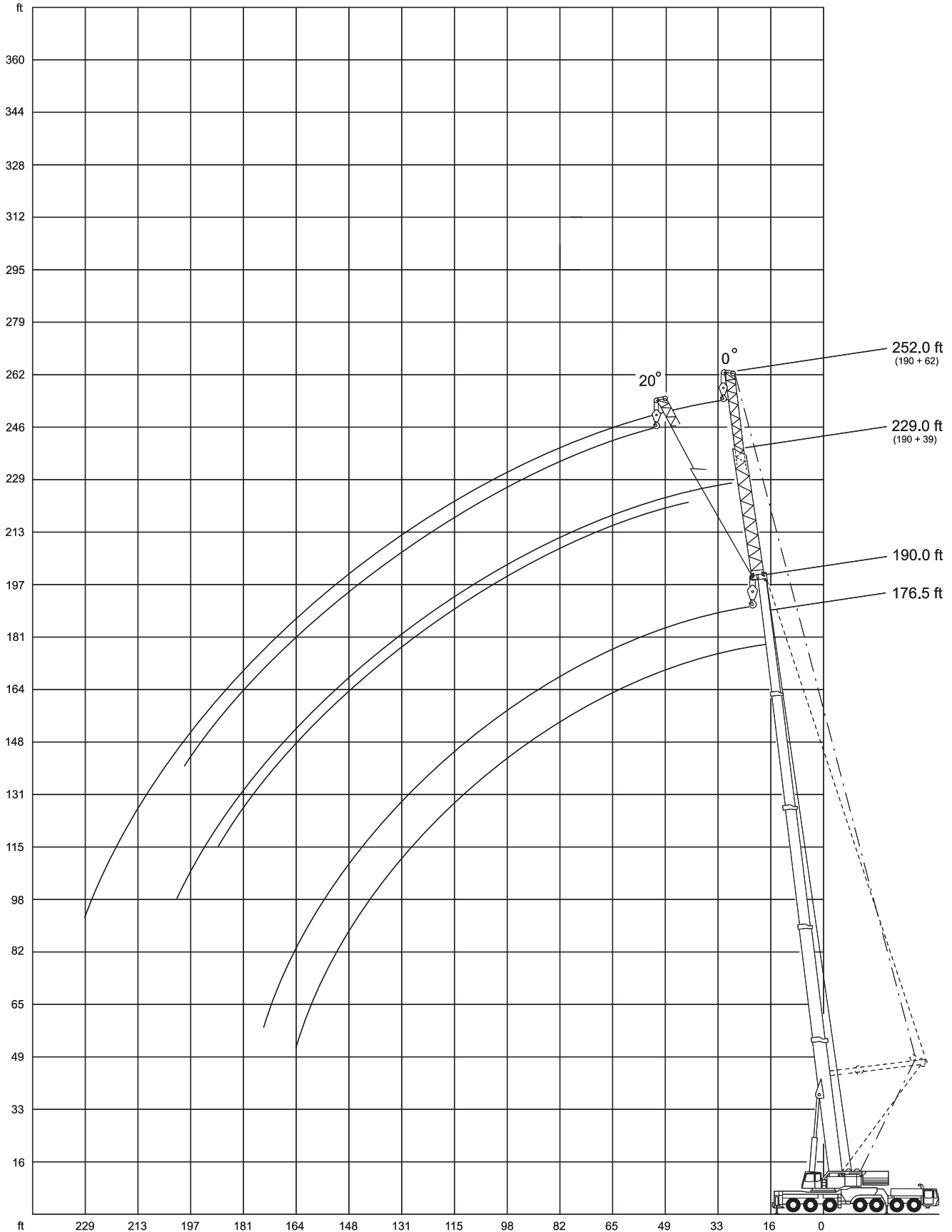




LIFTING CHARTS - All Terrain Cranes

DEMAG MODEL AC 400 - 500 TON CAPACITY

## Working ranges main boom extension



# STERLING CRANE

## Lifting capacities main boom extension in 1,000 lb

Main boom: 190.0 ft

**211,500 lb**  **360°** **85%**

Radius ft	Extension					
	39 ft			62 ft		
	0°	20°	1,000 lb	0°	20°	1,000 lb
52	40.7	-	24.3	-	-	
59	40.7	-	23.3	-	-	
65	39.7	-	22.7	-	-	
72	38.6	-	22.0	-	-	
79	37.4	-	21.3	-	-	
85	35.7	-	20.7	-	-	
92	34.1	-	20.2	-	-	
98	32.7	-	19.6	-	-	
105	31.0	-	19.1	-	-	
111	29.6	-	18.5	-	-	
118	28.0	-	18.0	-	-	
124	26.6	-	17.6	-	-	
131	25.3	-	17.2	-	-	
138	23.7	-	16.7	-	-	
144	22.5	-	16.3	-	-	
151	21.3	-	15.8	-	-	
157	20.3	-	15.4	-	-	
164	19.1	-	14.9	-	-	
177	17.0	-	14.1	-	-	
190	15.2	-	13.4	-	-	
203	13.2	-	12.8	-	-	
216	-	-	11.9	-	-	
229	-	-	11.0	-	-	

**154,000 lb**  **360°** **85%**

Radius ft	Extension					
	39 ft			62 ft		
	0°	20°	1,000 lb	0°	20°	1,000 lb
52	40.7	-	24.3	-	-	
59	40.7	31.9	23.3	-	-	
65	39.7	31.9	22.7	-	-	
72	38.6	31.5	22.0	18.5	-	
79	37.4	30.8	21.3	18.5	-	
85	35.7	30.0	20.7	18.3	-	
92	34.1	29.3	20.2	18.0	-	
98	32.7	28.4	19.6	17.6	-	
105	31.0	27.7	19.1	17.1	-	
111	29.6	26.9	18.5	16.7	-	
118	28.0	25.8	18.0	16.3	-	
124	26.6	25.0	17.6	16.1	-	
131	25.3	24.0	17.2	15.8	-	
138	23.7	22.9	16.7	15.6	-	
144	22.5	22.0	16.3	15.4	-	
151	20.4	20.9	15.8	14.9	-	
157	18.2	19.9	15.4	14.9	-	
164	16.1	17.4	14.9	14.7	-	
177	12.3	13.5	14.1	13.9	-	
190	9.3	-	11.9	13.4	-	
203	6.4	-	9.3	10.6	-	
216	-	-	6.9	-	-	
229	-	-	4.9	-	-	

**97,000 lb**  **360°** **85%**

Radius ft	Extension					
	39 ft			62 ft		
	0°	20°	1,000 lb	0°	20°	1,000 lb
52	40.7	-	24.3	-	-	
59	40.7	31.9	23.3	-	-	
65	39.7	31.9	22.7	-	-	
72	38.6	31.5	22.0	18.5	-	
79	37.4	30.8	21.3	18.5	-	
85	35.7	30.0	20.7	18.3	-	
92	34.1	29.3	20.2	18.0	-	
98	32.7	28.4	19.6	17.6	-	
105	28.6	27.7	19.1	17.1	-	
111	25.0	26.9	18.5	16.7	-	
118	21.2	24.0	18.0	16.3	-	
124	18.5	21.0	17.6	16.1	-	
131	15.5	17.7	17.2	15.8	-	
138	12.9	14.9	16.0	15.6	-	
144	10.9	12.9	13.8	15.4	-	
151	8.7	10.5	11.6	14.5	-	
157	6.9	8.7	9.8	12.7	-	
164	5.3	6.8	7.9	10.5	-	
177	2.2	3.5	5.3	7.3	-	
190	-	-	2.7	4.4	-	
203	-	-	-	2.0	-	