

STERLING CRANE



LIFTING CHARTS - Carry Decks

BRODERSON MODEL IC-80-1E/2E/3E - 8.5 TON CAPACITY

IC-80-1E

| CAPACITIES APPLY TO OPERATION ON FIRM LEVEL SURFACE | | | | | |
|---|---|---------------|------------|---------------|-------|
| LOAD RADIUS FEET | MAIN BOOM OR EXTENSION CAPACITIES IN POUNDS | | | | |
| | 360 DEGREE ROTATION | | OVER FRONT | | |
| | ON RUBBER | ON OUTRIGGERS | ON RUBBER | ON OUTRIGGERS | |
| M | 5 | 9600 | 17000 | 11700 | 17000 |
| A | 6 | 7900 | 14500 | 10400 | 14500 |
| I | 8 | 5750 | 10250 | 8400 | 10250 |
| N | 10 | 4150 | 7700 | 6300 | 7700 |
| | 12 | 3100 | 6550 | 4650 | 6550 |
| B | 14 | 2425 | 5550 | 3650 | 5550 |
| O | 16 | 1975 | 4650 | 3000 | 4650 |
| M | 18 | 1625 | 3950 | 2500 | 4150 |
| O | 20 | 1400 | 3550 | 2150 | 3800 |
| 10' | 22 | 1275 | 3000 | 1900 | 3000 |
| | 24 | 1075 | 2750 | 1650 | 2800 |
| B | 26 | 925 | 2450 | 1425 | 2600 |
| O | 28 | 775 | 2150 | 1250 | 2400 |
| O | 30 | 675 | 1950 | 1100 | 2250 |
| 10 - FOOT BOOM EXTENSION - STRAIGHT OR OFFSET | | | | | |
| MAIN BOOM ANGLE | | | | | |
| | | 0° | 30° | 45° | 60° |
| X | -0° | 2250 | 2600 | 3200 | 5000 |
| | -15° | --- | 2400 | 2700 | 3500 |
| T | -30° | --- | 2250 | 2500 | 3000 |

* Use 0° for straight boom extension.
 - Use 0°, 15° or 30° for offset boom extension.
 Boom extension loads must not exceed main boom capacity.

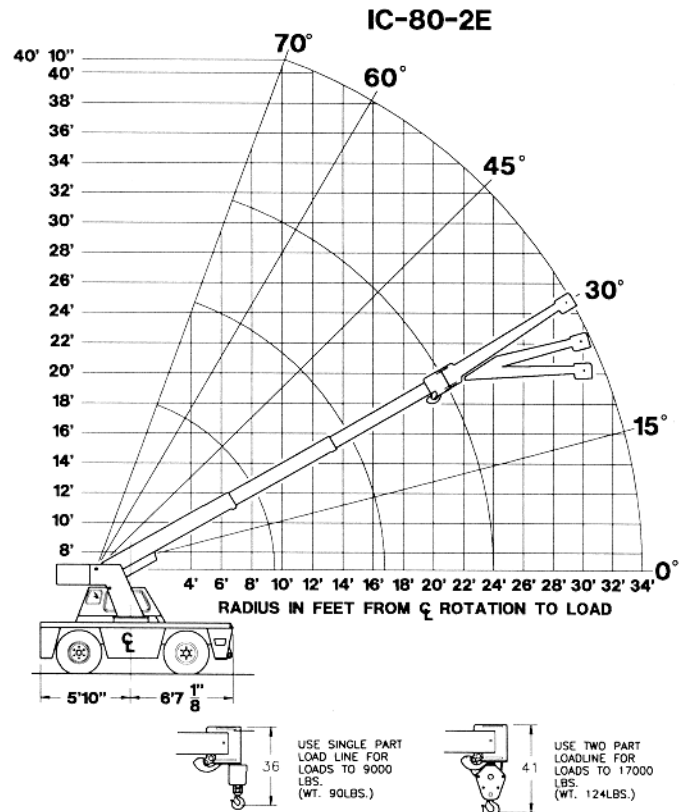
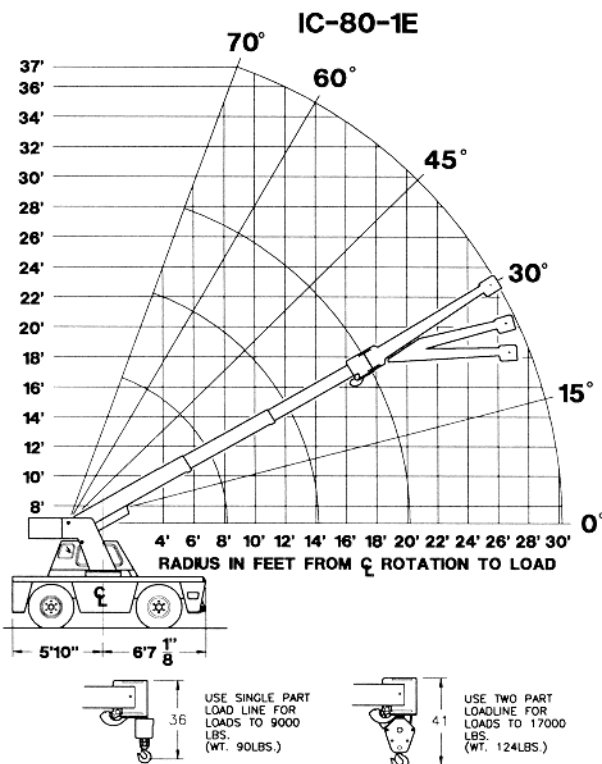
Capacities on outriggers are 85% of tipping loads. Capacities on rubber are 75% of tipping loads.
 Capacities below **BOLD** line are limited by tipping. Other capacities are limited by structural or hydraulic capabilities. Deduct 120 Pounds with Boom Extension in stowed position.

IC-80-2E

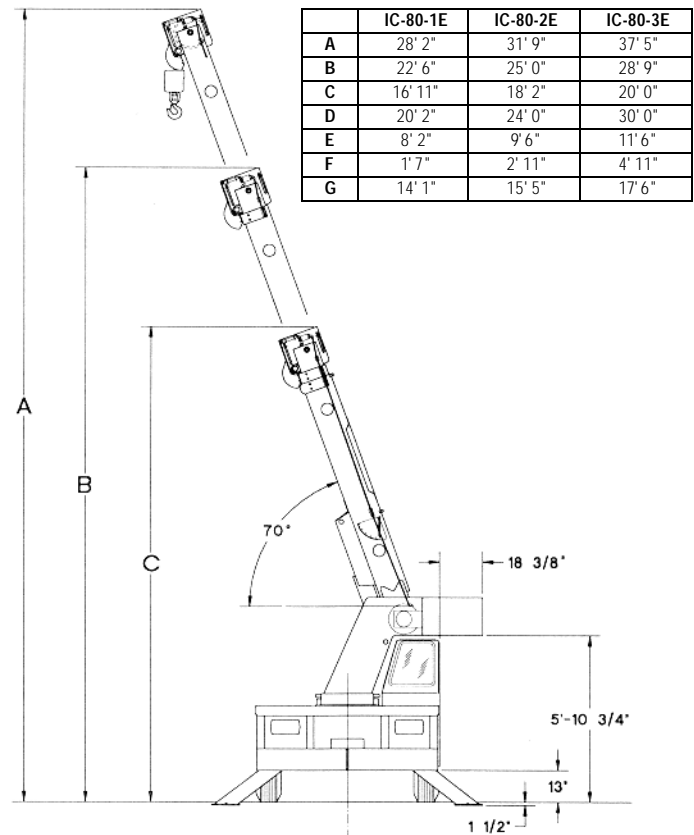
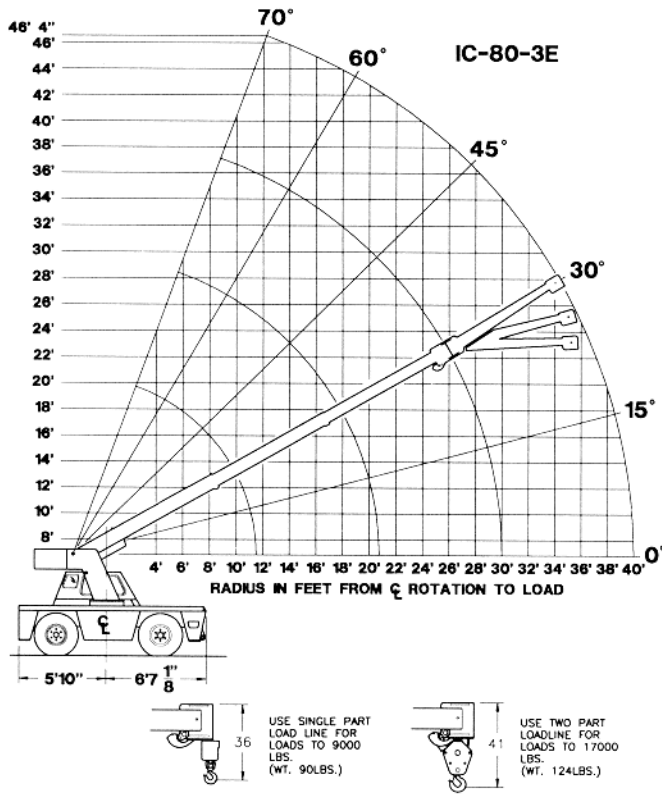
| CAPACITIES APPLY TO OPERATION ON FIRM LEVEL SURFACE | | | | | |
|---|---|---------------|------------|---------------|-------|
| LOAD RADIUS FEET | MAIN BOOM OR EXTENSION CAPACITIES IN POUNDS | | | | |
| | 360 DEGREE ROTATION | | OVER FRONT | | |
| | ON RUBBER | ON OUTRIGGERS | ON RUBBER | ON OUTRIGGERS | |
| M | 5 | 9500 | 17000 | 11600 | 17000 |
| A | 6 | 7800 | 14500 | 10200 | 14500 |
| I | 8 | 5500 | 10250 | 8250 | 10250 |
| N | 10 | 3900 | 7700 | 6200 | 7700 |
| | 12 | 2900 | 6550 | 4550 | 6550 |
| B | 14 | 2300 | 5550 | 3550 | 5550 |
| O | 16 | 1850 | 4550 | 2850 | 4550 |
| O | 18 | 1550 | 3950 | 2400 | 4050 |
| O | 20 | 1300 | 3250 | 2050 | 3650 |
| M | 22 | 1100 | 2875 | 1750 | 3300 |
| | 24 | 925 | 2475 | 1550 | 3100 |
| 10' | 26 | 850 | 2250 | 1350 | 2750 |
| B | 28 | 700 | 2000 | 1175 | 2500 |
| O | 30 | 600 | 1775 | 1025 | 2300 |
| O | 32 | 500 | 1625 | 900 | 2100 |
| O | 34 | 425 | 1400 | 800 | 1950 |
| 10 - FOOT BOOM EXTENSION - STRAIGHT OR OFFSET | | | | | |
| MAIN BOOM ANGLE | | | | | |
| | | 0° | 30° | 45° | 60° |
| X | -0° | 2250 | 2600 | 3200 | 5000 |
| | -15° | --- | 2400 | 2700 | 3500 |
| T | -30° | --- | 2250 | 2500 | 3000 |

* Use 0° for straight boom extension.
 - Use 0°, 15° or 30° for offset boom extension.
 Boom extension loads must not exceed main boom capacity.

Capacities on outriggers are 85% of tipping loads. Capacities on rubber are 75% of tipping loads.
 Capacities below **BOLD** line are limited by tipping. Other capacities are limited by structural or hydraulic capabilities. Deduct 120 Pounds with Boom Extension in stowed position.



STERLING CRANE

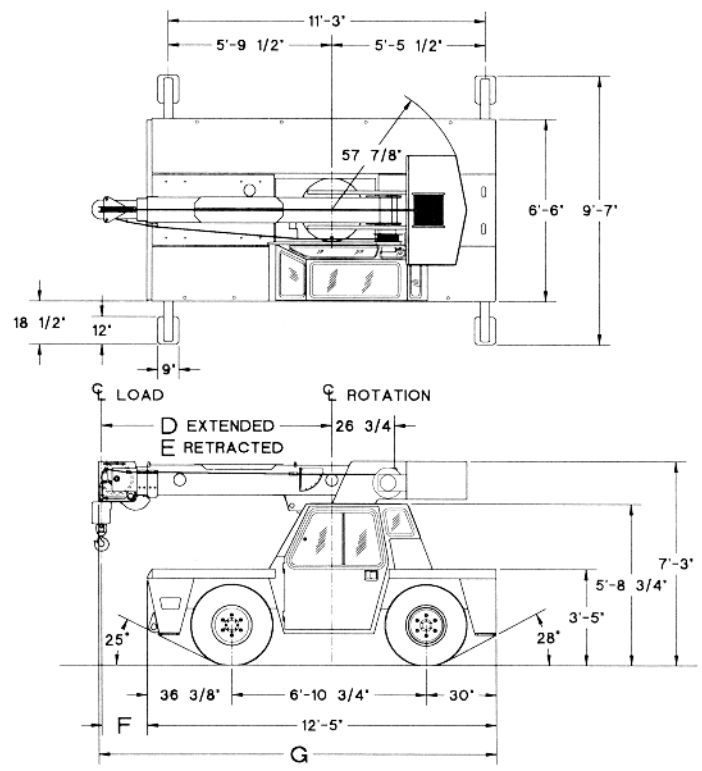


IC-80-3E

| CAPACITIES APPLY TO OPERATION ON FIRM LEVEL SURFACE | | | | | | |
|---|---|---------------|------------|-----------|---------------|------|
| LOAD RADIUS FEET | MAIN BOOM OR EXTENSION CAPACITIES IN POUNDS | | | | | |
| | 360 DEGREE ROTATION | | OVER FRONT | | | |
| | ON RUBBER | ON OUTRIGGERS | ON RUBBER | ON RUBBER | ON OUTRIGGERS | |
| 5 | 9400 | 17000 | 11400 | | 17000 | |
| 6 | 7550 | 14000 | 10000 | | 14000 | |
| 8 | 5250 | 10000 | 8100 | | 10000 | |
| 10 | 3600 | 7700 | 6100 | | 7700 | |
| 12 | 2650 | 6100 | 4450 | | 6100 | |
| 14 | 2050 | 5200 | 3400 | | 5200 | |
| 16 | 1600 | 4400 | 2700 | | 4400 | |
| 18 | 1250 | 3650 | 2200 | | 3900 | |
| 20 | 1050 | 3050 | 1800 | | 3400 | |
| 22 | 850 | 2650 | 1550 | | 3050 | |
| 24 | 750 | 2300 | 1350 | | 2800 | |
| 26 | 650 | 2050 | 1150 | | 2550 | |
| 28 | 550 | 1850 | 1000 | | 2350 | |
| 30 | 450 | 1650 | 900 | | 2150 | |
| 32 | 350 | 1550 | 750 | | 1950 | |
| 34 | 250 | 1400 | 650 | | 1800 | |
| 36 | 200 | 1250 | 550 | | 1650 | |
| 38 | 150 | 1100 | 450 | | 1500 | |
| 40 | 100 | 1000 | 400 | | 1400 | |
| 10 - FOOT BOOM EXTENSION - STRAIGHT OR OFFSET | MAIN BOOM ANGLE | | | | | |
| | 0° | 30° | 45° | 60° | 70° | |
| | -0° | 2250 | 2600 | 3200 | 5000 | 7000 |
| | -15° | --- | 2400 | 2700 | 3500 | 4200 |
| | -30° | --- | 2250 | 2500 | 3000 | 3300 |

* Use 0° for straight boom extension.
 - Use 0°, 15° or 30° for offset boom extension.
 Boom extension loads must not exceed main boom capacity.

Capacities on outriggers are 85% of tipping loads. Capacities on rubber are 75% of tipping loads. Capacities below **BOLD** line are limited by tipping. Other capacities are limited by structural or hydraulic capabilities. Deduct 120 Pounds with Boom Extension in stowed position.



Boom Hoist

Turret mounted planetary gear hoist hydraulically powered with a bare drum line pull of 10,000 lbs. at a line speed of 110 FPM. Includes downhaul weight, swivel hook and sheave block for 2-part line and 125 ft. of 9/16" hoist rope.