

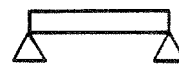
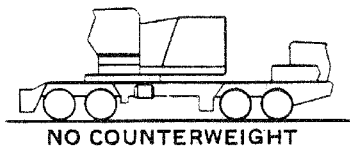
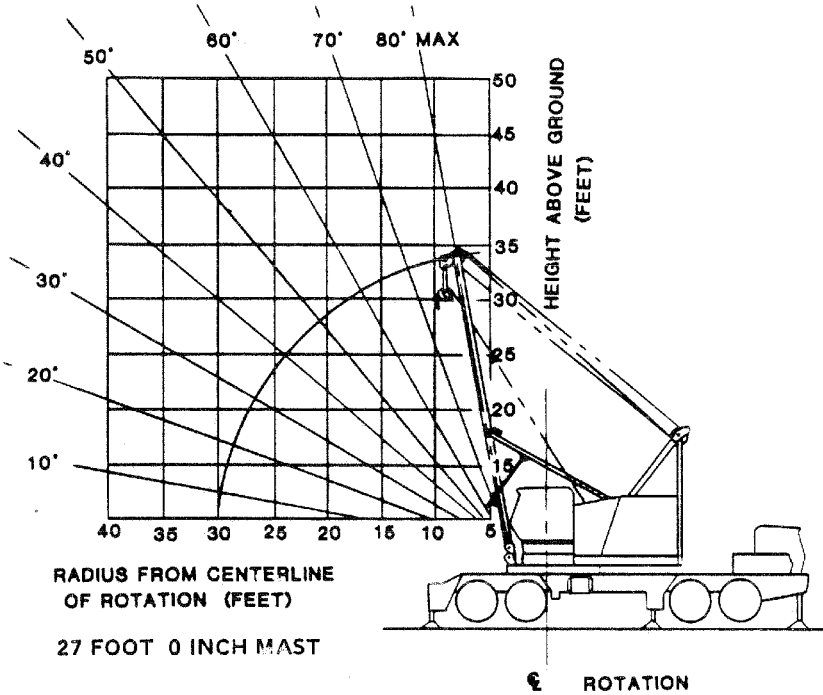
# STERLING CRANE



## LIFTING CHARTS - Conventional Truck Cranes

### GROVE MODEL HL150T - 150 TON CAPACITY

MAST RANGE AND CAPACITY 360°  
85% STABILITY ON OUTRIGGERS  
75% STABILITY ON TIRES



RADIUS	MAST ANGLE	ON TIRES	ON TIRES	ON
		FRONT AXLE FREE	FRONT AXLE LOCKED (7)	
9	78.7	45,000	45,000	45,000
13	69.9	26,900	39,100	45,000
14	67.6	24,300	35,000	45,000
15	65.3	22,100	31,500	45,000
16	62.9	20,200	28,600	45,000
17	60.5	18,700	26,200	45,000
18	58.0	17,200	24,200	45,000
19	55.5	16,100	22,500	45,000
20	52.9	15,000	20,900	40,600
25	37.9	11,100	15,400	27,200
30	13.2	8,700	12,000	17,500

1. Rated loads appearing in shaded areas are based on structural strength and tipping should not be relied upon as a capacity limitation.
2. Rated loads are in pounds and do not exceed 85% of tipping loads on outriggers and 75% of tipping loads on tires as determined by test in accordance with SAE J-765 OCT80.
3. On tire rated loads are for the machine with outrigger boxes removed.
4. Rated loads are applicable to machines equipped with 14.00 x 24 (20 ply) bias ply or radial tires at 115 psi cold inflation pressure or 16.00 x 21 (22 ply) radial ply tires at 85 psi cold inflation pressure.
5. All lifting depends on proper tire inflation, capacity and condition. Rated loads must be reduced for lower tire inflation pressures. Damaged tires are hazardous to safe operation of crane.
6. Rated loads are applicable only with machine on a firm level surface.
7. Front axles must be locked on both axles before lifting on tires over side or front.
8. Gantry must be pinned in high position before lifting loads.
9. Use of the heaviest hookblock allowable within load chart limits also works best to prevent overhauling.