



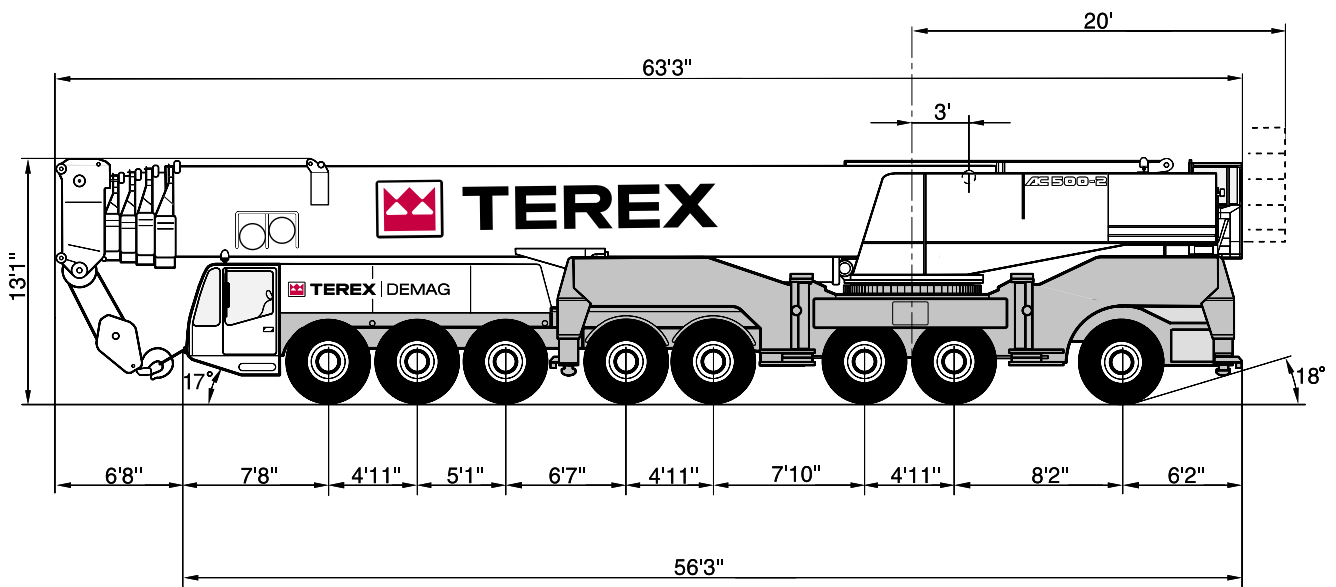
TRANSPORTATION SPECS - All Terrain Cranes

TEREX MODEL AC 500-2 - 600 TON CAPACITY

<u>COMPONENT WEIGHTS</u>	<u>LBS.</u>	<u>KGS.</u>	<u>FIXED FLY JIB 8.4-62.4M (27 - 205')</u>	<u>LBS.</u>	<u>KGS.</u>			
Complete Crane c/w full ctw. and block	613,409	278 240	Head Connection 2.38m	3,307	1,500			
House, Carrier and Boom 63'3"/56'3" x 9'10" x 13'1"	216,673	98 282	Insert 12m	5,071	2 300			
			Insert 6m	2,866	1 300			
House c/w winches and lift cylinders 34'8" x 9'10" x 6'11"	43,000	19 505	Adapter 3m	1,764	800			
			Adapter 9.53m	4,189	1 900			
Main Boom 49'10" x 8' x 7'	75,564	34 276	Insert 6m	3,527	1 600			
			Carrier without outriggers 56'3" x 9'10" x 9'9"	70,547	32 000	Insert 6m	1,984	900
<u>COUNTERWEIGHTS</u>			Insert 12m	3,307	1 500			
			Jib Tip 3m	4,850	2 200			
			Jib Tip 5.47m	3,306	1 500			
Base Plate 20t 17'5" x 8'4" x 7'	44,000	19 958	<u>LUFFING FLY JIB 24-90M (79-295')</u>					
8 - Main Cwts. 10t ea. 7'11" x 6'5" x 2'3"	22,046	10 000				Head Connection 2.125m	3,086	1 400
8 - Additional Cwts. 10t ea. 7'11" x 6'5" x 2'3"	22,046	10 000				Luff Mast Connection 1.54m	3,086	1 400
Total Counterweights	396,736	179 958	Upper & Lower Mast c/w Assembly 11m	ea. 11,876	5 387			
<u>ADDITIONAL WEIGHTS</u>			Luff Butt 12m	5,952	2 700			
320 Ton 11 Sheave Block	7,056	3,200	Insert 12m	5,070	2 300			
160 Ton 5 Sheave Block	4,189	1 900	Insert 6m	3,306	1 500			
40 Ton Single Sheave Block	1,653	750	Insert 6m	2,425	1 100			
12.5 Ton Ball	1,103	500	Adapter 3m	1,764	800			
Superlift Attachment 31'8" x 9'1" x 5'5"	22,000	9 979	Insert 12m	3,527	1 600			
2 - Front Outrigger Beams ea. 18'6" x 2'8" x 7'1"	7,057	3 201	Adapter 9.53m	3,086	1 400			
			Insert 6m	3,527	1 600			
2 - Rear Outrigger Beams ea. 16'6" x 2'8" x 7'1"	6,724	3 050	Insert 6m	1,763	800			
			Counterweight Rack	1,543	700	Insert 12m	3,086	1 400
Rooster Sheave	574	260	Luff Tip 5.47m	3,307	1 500			
Tire Size 17.5R25								

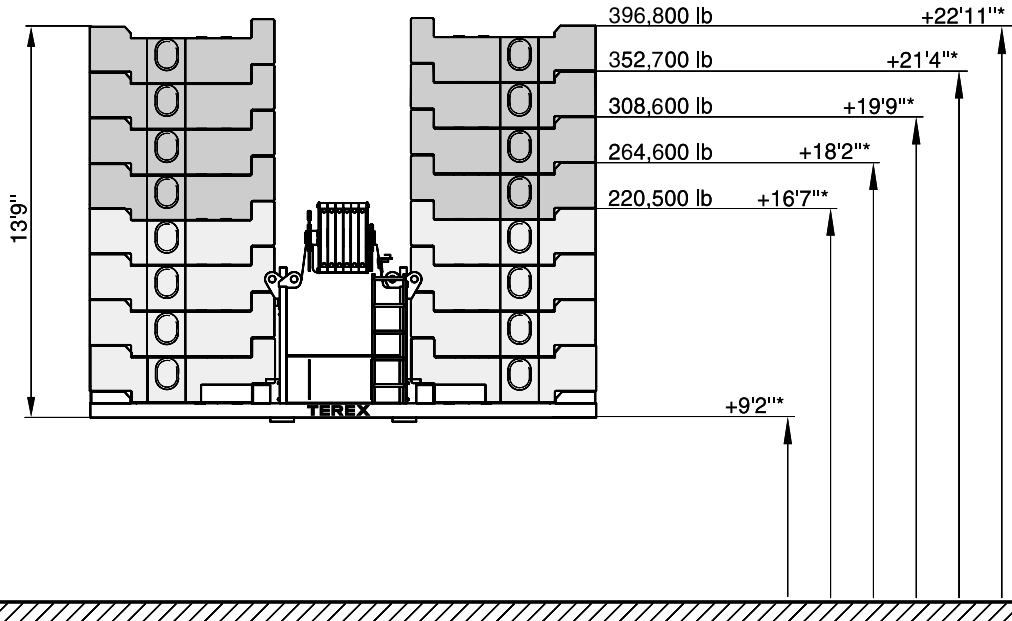
STERLING CRANE

DIMENSIONS

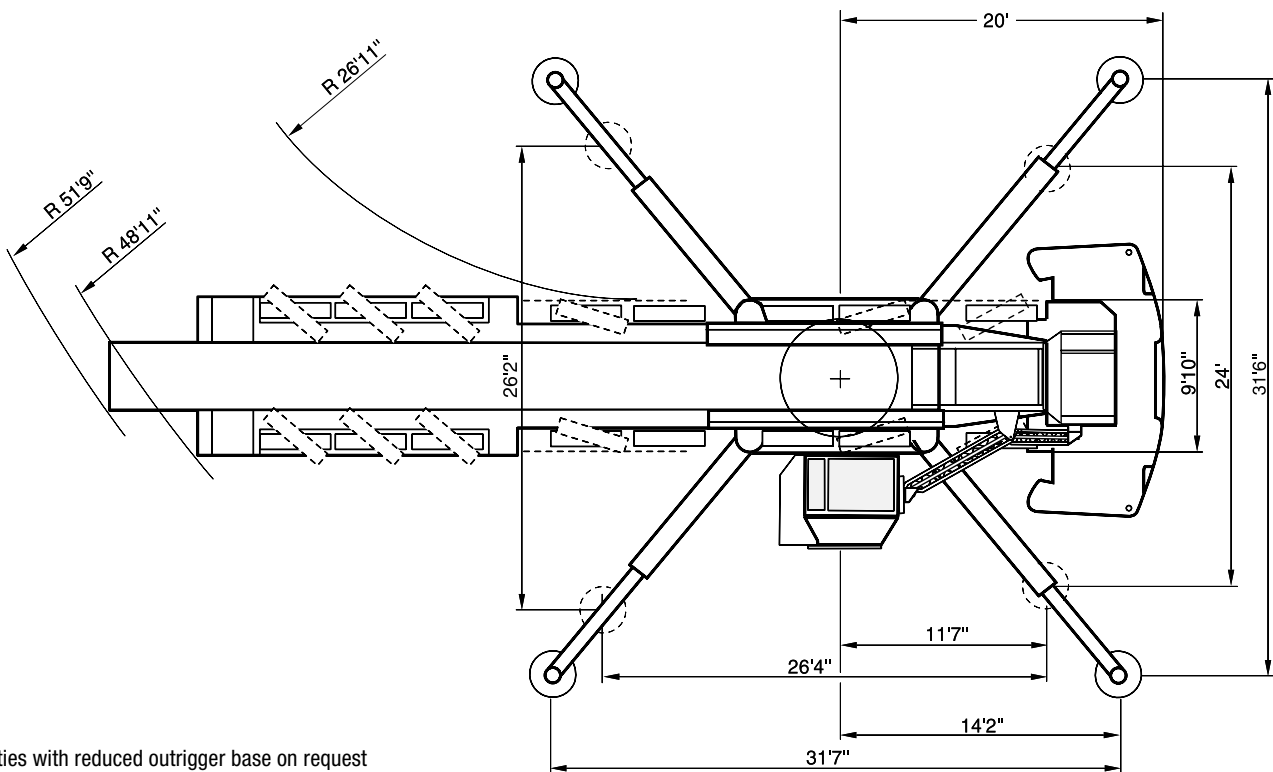


STERLING CRANE

DIMENSIONS



* Tail swing above ground



Duties with reduced outrigger base on request

STERLING CRANE

SPECIFICATIONS

AXLE LOADS

Crane with main boom, outriggers and hook block

Axles
Total weight

8 x 26,500 lb
212,000 lb

WORKING SPEEDS (INFINITELY VARIABLE)

Mechanisms	Normal speed	Max. permissible line pull	Rope length
Hoist I	max. 423.7 ft/min	28,100 lb	1,969 ft
Hoist II	max. 505.3 ft/min	28,100 lb	2,362 ft
Slewing			max. 0.8 1/min.
Telescoping speed			48.2 – 183.7 ft: ~ 420 sec.
Boom elevation			-0.5° – +83°: 85 sec.

CARRIER PERFORMANCE

Travel speed

0 . . 40 mph

HOOK BLOCK / HEAVY-LIFT ATTACHMENT

Type	Possible load	Number of sheaves	Weight	„D“	Number of lines	Heavy-lift attachment
320	491,500 lb	11	7,100 lb	14.8 ft	20	2 add'l. sheaves
250	469,200 lb	9	5,700 lb	14.8 ft	19	2 add'l. sheaves
200	390,300 lb	7	5,100 lb	9.8 ft	15	
160	291,900 lb	5	4,200 lb	9.8 ft	11	
100	189,400 lb	3	4,000 lb	9.8 ft	7	
40	82,900 lb	1	1,700 lb	8.9 ft	3	
12.5	27,800 lb	Single line hook	1,100 lb	6.6 ft	1	