



## TRANSPORTATION SPECS - All Terrain Cranes

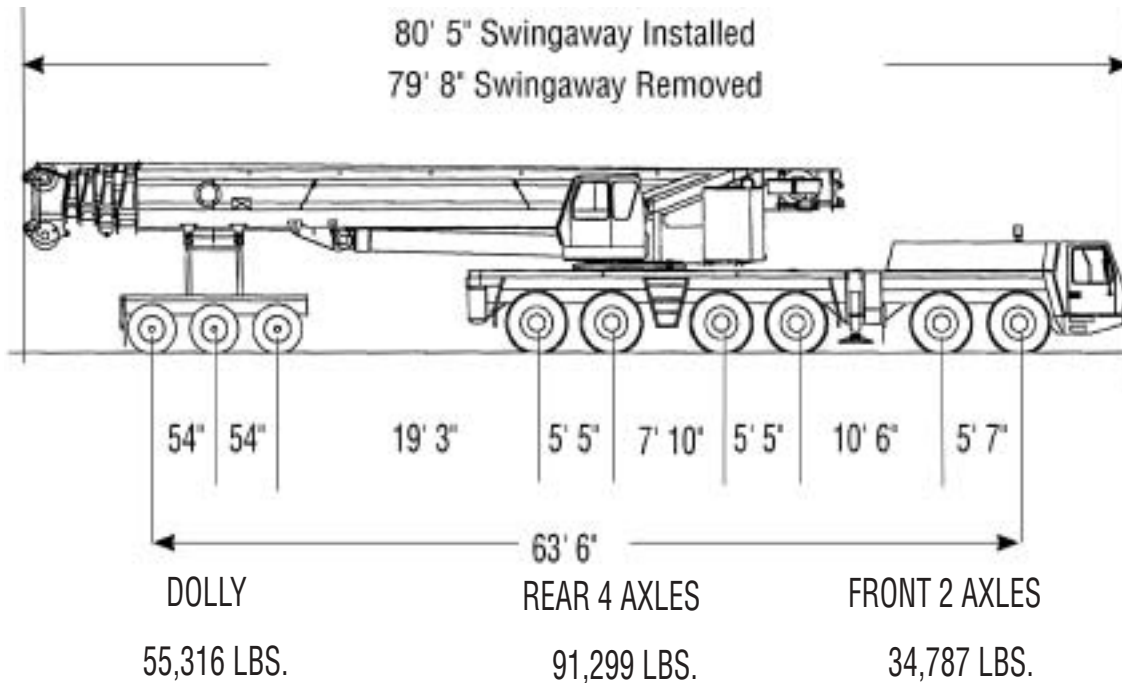
### GROVE MODEL GMK6350 - 350 TON CAPACITY

<u>COMPONENT WEIGHTS</u>	<u>LBS.</u>	<u>KGS.</u>
Complete Crane c/w Full Cwt and Block	388,212	176,092
House, Carrier and Boom - 50' 5" / 59' 3" x 10' x 13' 2"	167,812	76,119
Counterweights		
#1 Base Plate (9'9" x 8'2" x 5')	17,600	7,983
#2 (9'9" x 8'2" x 1')	30,900	14,016
#3A (9'9" x 8'2" x 10")	15,450	7,008
#3B (9'9" x 8'2" x 10")	15,450	7,008
#4 (9'9" x 8'2" x 1')	30,900	14,016
#5 (7'5" x 3'2" x 6'3")	33,000	14,969
#6 (7'5" x 3'2" x 6'3")	33,000	14,969
#7 (6'1" x 2'10" x 6'3")	22,050	10,002
#8 (6'1" x 2'10" x 6'3")	22,050	10,002
 <u>ADDITIONAL INFORMATION</u>		
125 Ton 5 Sheave Block	3,750	1,701
80 Ton 3 Sheave Block	2,500	1,134
35 Ton Single Sheave Block	1,400	635
Fixed and Luffing Jib (4'10" x 4'10")		
Transition           36'	—	—
Inserts (6pcs)       26'	—	—
Jib Tip               8'	—	—
 Auxiliary Winch	6,085	2,760
 Front Outrigger Beams & Jacks	5,360	2,431
Rear Outrigger Beams & Jacks	5,920	2,685
Boom Assembly Without Lift Cylinder	57,925	26,275
Lift Cylinder	5,650	2,563
Tire Size 20.5R25	810	367

# STERLING CRANE

## trailing boom proposal

### Trailing Boom



G.V.W.: 181,402 LBS.

### UNIT EQUIPPED AS FOLLOWS:

Mercedes engines carrier and superstructure, outrigger pads in place, frame equipped for removable outrigger box, rear box in place, main & auxiliary hoist with rope, swingaway on boom, 3 axle boom dolly (7,600 LBS.), 16.0 tires, counterweight removed. 12 x 6 x 12 drive.

### Weight effects:

Component	Dolly	Rear Axles	Front Axles	Gross
Remove rear outrigger box	0	-17,555 lbs.	+6,753 lbs.	-10,802 lbs.
Remove front outrigger beams	0	-1,980 lbs.	-3,377 lbs.	-5,357 lbs.
Remove rear outrigger beams	0	-9,652 lbs.	+3,732 lbs.	-5,919 lbs.
Remove auxiliary hoist with rope	0	-2,134 lbs.	-3,951 lbs.	-6,085 lbs.
Remove swingaway	-5,205 lbs.	+99 lbs.	+35 lbs.	-5,071 lbs.
Add 12 x 8 x 12 Drive	0	-106 lbs.	+966 lbs.	+860 lbs.
Fixed MEGALIFT brackets w/o winch	547 lbs.	-13 lbs.	-4 lbs.	529 lbs.
Fixed bracket for MEGALIFT winch	170 lbs.	119 lbs.	42 lbs.	331 lbs.
Bolted parts for MEGALIFT	170 lbs.	119 lbs.	42 lbs.	331 lbs.
MEGALIFT winch	7,299 lbs.	3,468 lbs.	1,224 lbs.	11,993 lbs.

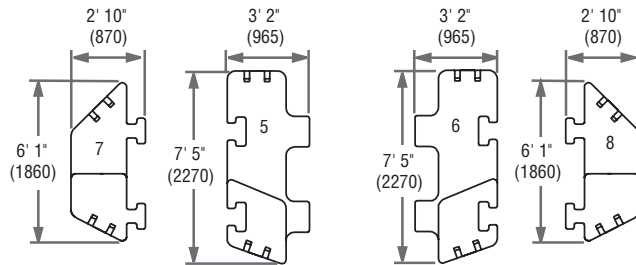
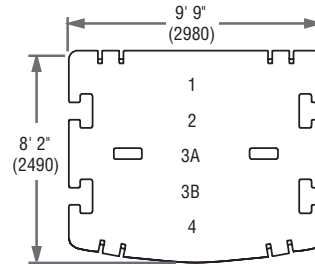
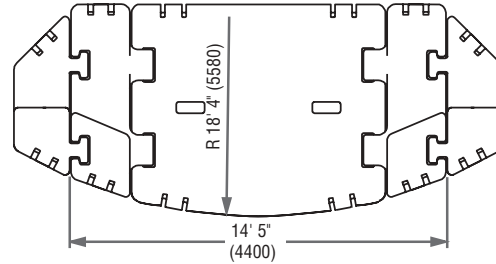
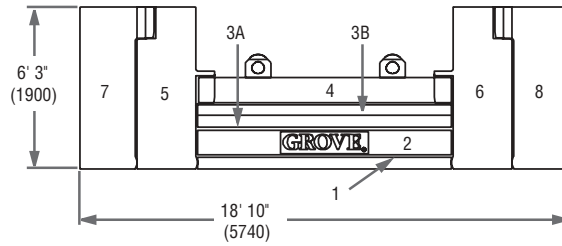
Note: Weights may vary 3% due to manufacturing tolerances.

THIS ILLUSTRATION IS ONLY A GUIDE. CONSULT FACTORY FOR SPECIFIC DETAILS.


# STERLING CRANE

## counterweight

- 1. 17,600 lbs. (8 Tonnes)
- 2. 30,900 lbs. (14 Tonnes)
- 3A. 15,450 lbs. (7 Tonnes)
- 3B. 15,450 lbs. (7 Tonnes)
- 4. 30,900 lbs. (14 Tonnes)
- 5. 33,000 lbs. (15 Tonnes)
- 6. 33,000 lbs. (15 Tonnes)
- 7. 22,050 lbs. (10 Tonnes)
- 8. 22,050 lbs. (10 Tonnes)

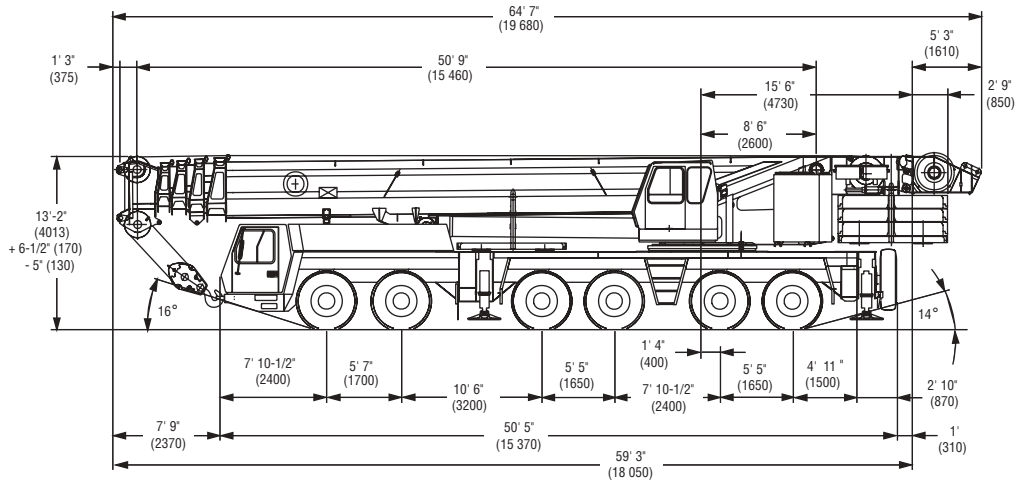
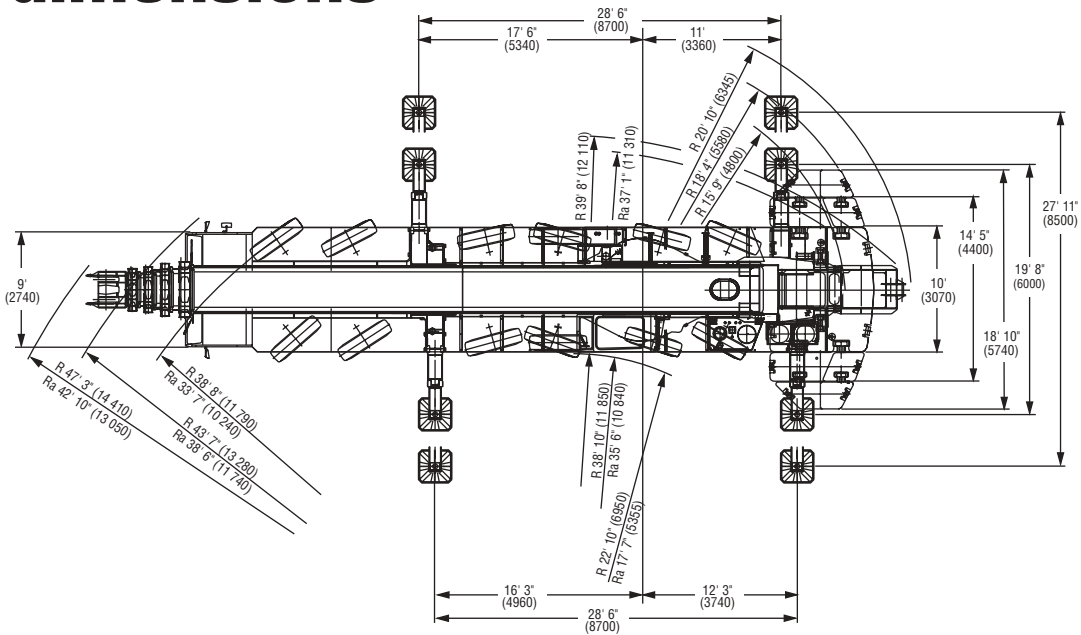


Note: ( ) Reference dimensions in mm

	1	2	3A	3B	4	5	6	7	8
17,600 lbs.	X								
48,500 lbs.	X	X							
79,300 lbs.	X	X	X	X					
110,200 lbs.	X	X	X	X	X				
176,300 lbs.	X	X	X	X	X	X	X		
220,400 lbs.	X	X	X	X	X	X	X	X	X

# STERLING CRANE

## dimensions



Note: ( ) Reference dimensions in mm

BASIC WEIGHTS (LBS.)	Axles 1 & 2	Axles 3 - 6	Total
Mercedes Power, 12x6, 20.5 R25 Tires, 2nd Hydraulic Oil Cooler, Brackets for swingaway	50,781	107,969	158,750
<b>Additions:</b>			
12 x 8 x 12 in lieu	965	-(105)	860
Outrigger Pads	-	772	772
Removable rear outrigger box option	-(1,225)	3,430	2,205
Auxiliary Hoist	-(5,365)	11,450	6,085
Swingaway	6,860	-(1,525)	5,335
Spare Wheel 20.5 with stowage	-(590)	1,400	810
Spare Wheel 16.00 with stowage	-(520)	1,240	720
Spare Wheel 14.00 with stowage	-(425)	1,010	585
Fixed MEGALIFT brackets w/o winch	653 lbs.	-123 lbs.	530 lbs.
Fixed bracket for MEGALIFT winch	119 lbs.	212 lbs.	331 lbs.
Bolted parts for MEGALIFT	119 lbs.	212 lbs.	331 lbs.
MEGALIFT winch	6,257 lbs.	5,736 lbs.	11,993 lbs.
<b>Removal:</b>			
Front Outrigger Beams & Jacks	-(3,380)	-(1,980)	-(5,360)
Rear Outrigger Beams & Jacks	3,730	-(9,650)	-(5,920)
Outrigger Box (must add weight above for option)	6,750	-(17,550)	-(10,800)
Boom Assembly (minus lift cylinder)	-(34,750)	-(23,175)	-(57,925)
Telescope Sections 1-4	-(27,900)	-(15,860)	-(43,760)
Lift Cylinder	-(2,250)	-(3,400)	-(5,650)
16.00 R25 Tires in lieu	-(370)	-(740)	-(1,110)
14.00 R25 Tires in lieu	-(900)	-(1,800)	-(2,700)