



## TRANSPORTATION SPECS - Boom Trucks

### MANITOWOC MODEL 2892C - 28 TON CAPACITY

#### COMPONENT WEIGHTS

	<u>LBS.</u>	<u>KGS.</u>
Complete Crane (Includes Ball and Jib)	40,350	18 303
Crane Only	20,462	9 282

#### ADDITIONAL INFORMATION

7 Ton Ball	172	78
Tele-jib (26'-46')	1,226	556
Main Load Line 9/16" x 300'	180	82
Deck Space 8'6" x 20'	1,840	835

#### TRANSPORTATION

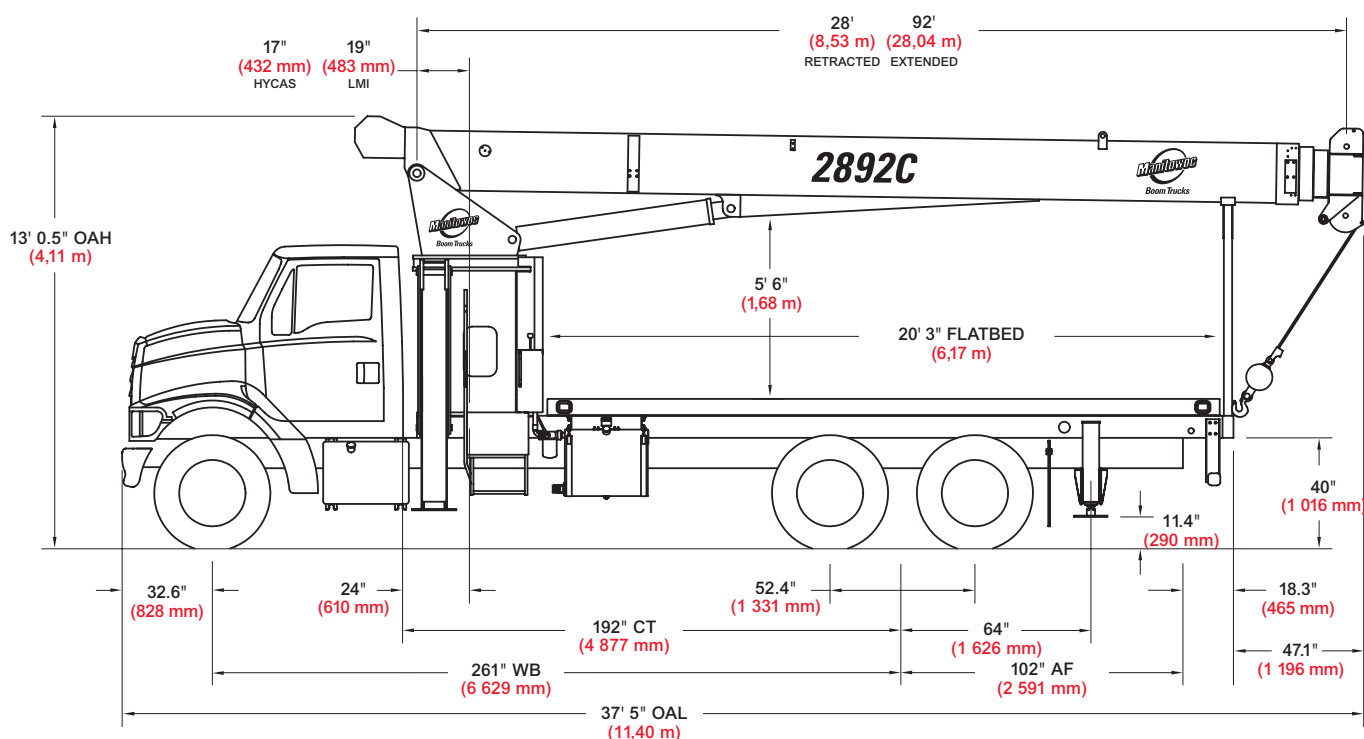
Average Driving Speed 80 km/hr

#### Alberta and B. C.

- All Season Drive

# STERLING CRANE

## outline dimensions



### Chassis Data

Minimum Truck Requirements	2892C
<b>Wheelbase (WB)</b>	<b>249" (6 325 mm)</b>
<b>Cab to Tandem (CT)</b>	<b>180" (4 527 mm)</b>
<b>After Frame (AF)</b>	<b>102" (2 591 mm)</b>
<b>Frame Section Modulus</b>	<b>20.0 in<sup>3</sup> 110,000 psi (758 422 kPa)</b>
<b>Front Axle Gross Weight Rating</b>	<b>16,000 lb (7 257 kg)</b>
<b>Rear Axle Gross Weight Rating</b>	<b>34,000 lb (15 422 kg)</b>
<b>Minimum Truck Axle Weight - Front*</b>	<b>8,500 lb (3 856 kg)</b>
<b>Minimum Truck Axle Weight - Back*</b>	<b>8,150 lb (3 697 kg)</b>
<b>Nominal Frame Width</b>	<b>34" (864 mm)</b>

### Weights

	2892C
<b>Total Crane - Standard</b>	<b>20,462 lb (9 282 kg)</b>
<b>Total Crane - Out-and-Down Outriggers (Out-and-Down outrigger configuration only available on LMI unit)</b>	<b>24,612 lb (11 164 kg)</b>
<b>20' (6,10 m) Flat Bed - Standard Outriggers</b>	<b>1,840 lb (835 kg)</b>
<b>22' (6,71 m) Flat Bed - Out-and-Down Outriggers</b>	<b>2,000 lb (907 kg)</b>
<b>26' (7,93 m) Fixed Length Jib</b>	<b>832 lb (377 kg)</b>
<b>26'-46' (7,93 m-14,02 m) Telescopic Jib</b>	<b>1,226 lb (556 kg)</b>

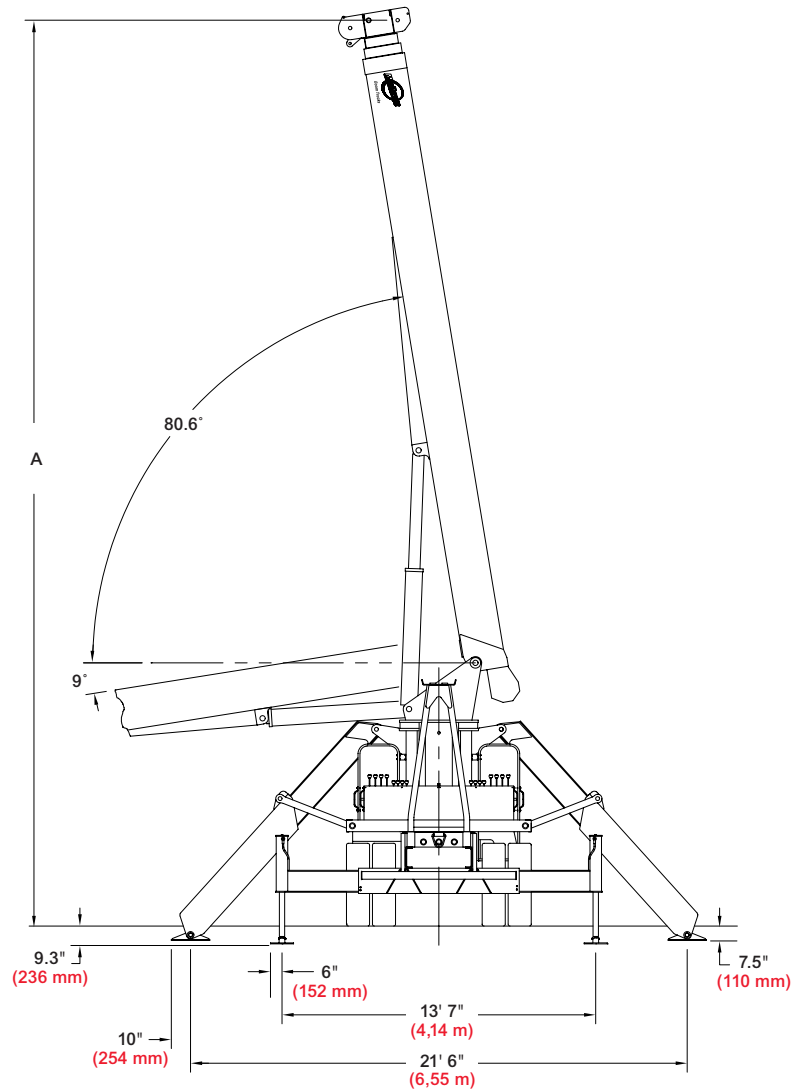
\*Minimum chassis weight is required to meet 85% stability requirements.

Chassis data is general - not for engineering. Some dimensions depend on truck selection.

- OAH Overall Height
- CT Cab to Tandem
- CA Cab to Axle
- WB Wheel Base
- OAL Overall Length
- BBC Bumper to Back of Cab
- AF Afterframe

# STERLING CRANE

## outline dimensions



### Maximum Tip Height (A)

Configuration	2892C Boom 92' (28,0 m)
Extended Boom	103' (31,4 m)
Fixed or Retracted Jib	129' 4" (39,4 m)
Extended Jib	149' (45,4 m)