



TRANSPORTATION SPECS - Boom Trucks

MANITEX MODEL 2892S - 28 TON CAPACITY

COMPONENT WEIGHTS

Complete Crane & Truck

LBS.

46,800

KGS.

21,228

ADDITIONAL INFORMATION

26'-46' Telescopic Jib

1226

556

25 Ton Block, 3 sheave

378

171

7 Ton Ball

172

78

Deck Space 8'x17'

Load Line 9/16" x300'

TRANSPORTATION

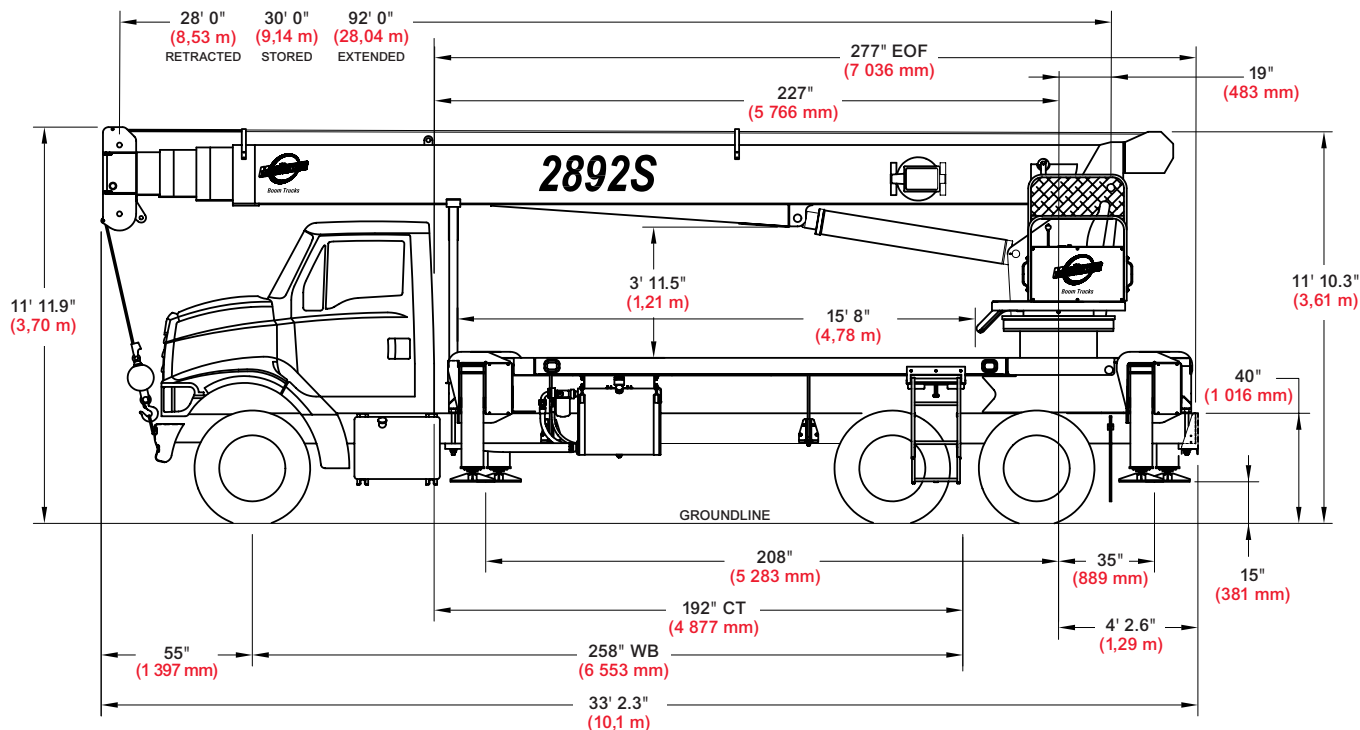
Average Driving Speed

50mph

80 km/hr

STERLING CRANE

outline dimensions



Chassis Data

Minimum Truck Requirements	2892C
Wheelbase (WB)	258" (6 553 mm)
Cab to Tandem (CT)	192" (4 877 mm)
Cab to End of Frame (EOF)	277" (7 036 mm)
Frame Section Modulus	20.0 in³ 110,000 psi (758 422 kPa)
Front Axle Gross Weight Rating	18,000 lb (8 165 kg)
Rear Axle Gross Weight Rating	34,000 lb (10 363 kg)
Minimum Truck Axle Weight – Front*	8,000 lb (3 629 kg)
Minimum Truck Axle Weight – Back*	8,300 lb (3 765 kg)
Nominal Frame Width	34" (864 mm)

Weights

	2892C
Cab Alone	575 lb (261 kg)
Crane- Without Cab	22,393 lb (10 158 kg)
14' (4,27 m) Flat Bed	1,260 lb (572 kg)
26' (7,92 m) Fixed Length Jib	832 lb (377 kg)
26' (7,92 m) to 46' (14,02 m) Telescopic Jib	1,226 lb (556 kg)

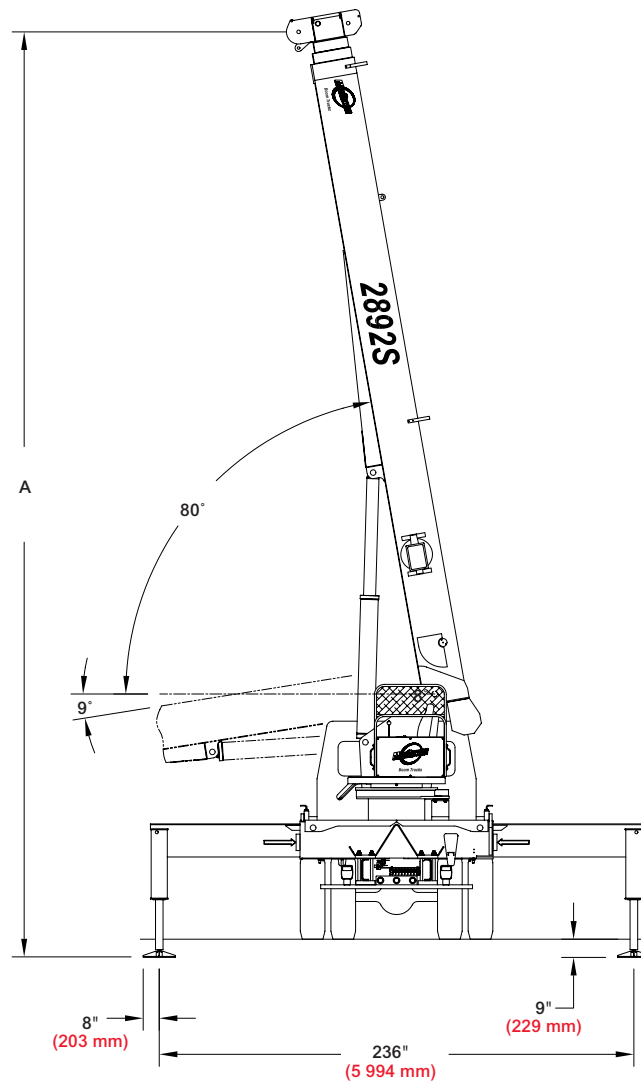
*Minimum chassis weight is required to meet 85% stability requirements.

Chassis data is general – not for engineering. Some dimensions depend on truck selection.

- OAH Overall Height
- CT Cab to Tandem
- CA Cab to Axle
- WB Wheel Base
- OAL Overall Length
- BBC Bumper to Back of Cab
- AF Afterframe
- EOF End of Frame

STERLING CRANE

outline dimensions



Maximum Tip Height (A)	
	2892S
Configuration	Boom 92' 0" (28,0 m)
Extended Boom	101' 9" (30,8 m)
Fixed or Retracted Jib	128' 0" (39,0 m)
Extended Jib	147' 9" (45,0 m)