



## TRANSPORTATION SPECS - Carry Decks

### BRODERSON MODEL IC-80-1E/2E/3E - 8.5 TON CAPACITY

#### COMPONENT WEIGHTS

Complete Crane  
(incl. block, ball & jib)

		<u>LBS.</u>	<u>KGS.</u>
IC-80-1E	(1)	14,600	6 625
IC-80-2E	(1)	14,800	6 715
IC-80-3E	(1)	15,100	6 852

#### ADDITIONAL INFORMATION

8.5 Ton Block		124	57
4.5 Ton Ball		90	41
10' Swingaway Jib		295	134
Main Load Line (9/16" x 125')		75	34

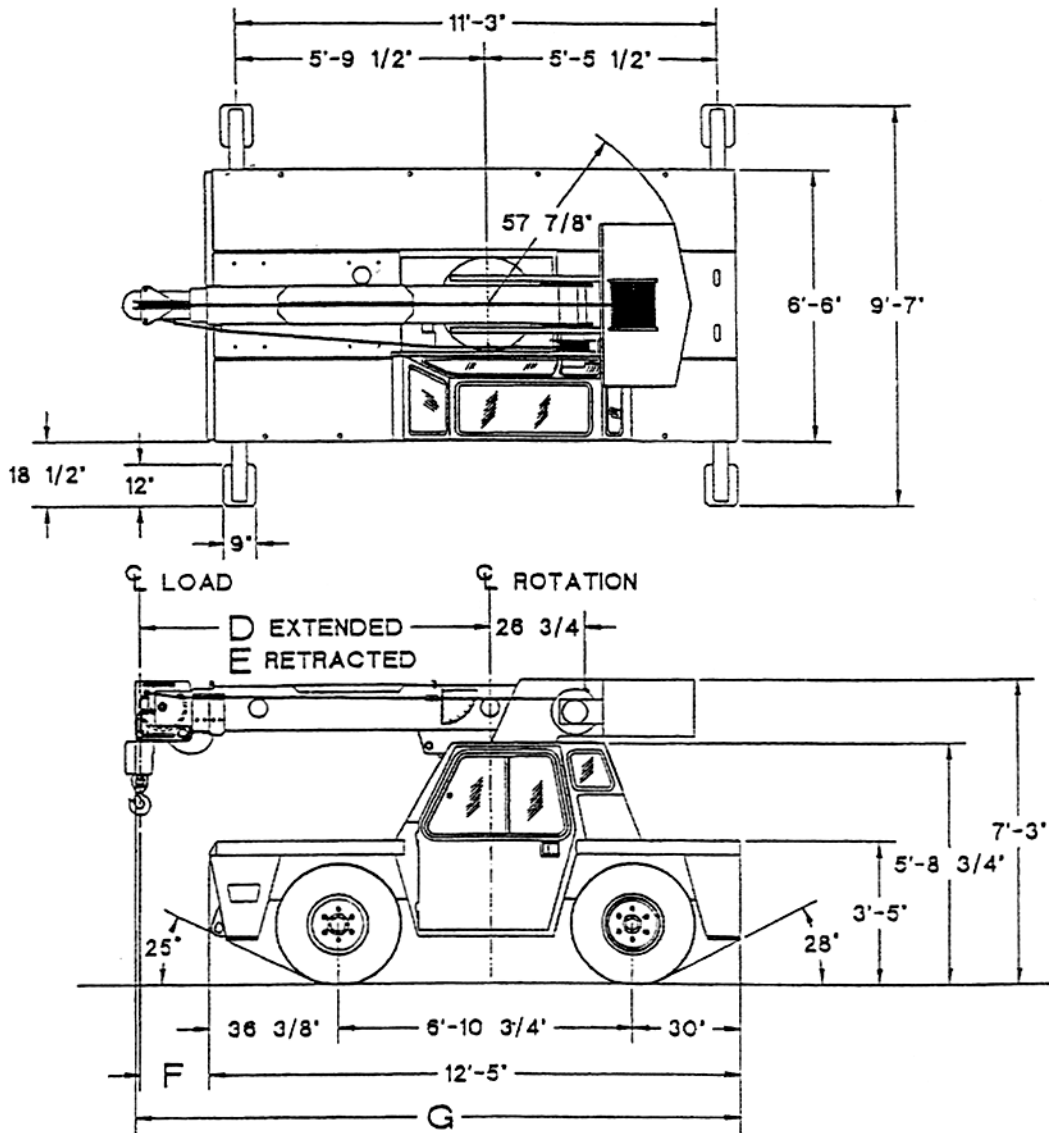
#### TRANSPORTATION

Alberta, British Columbia  
and Saskatchewan

- All Seasons

	<u>Weight</u>	<u>Trailer</u>
(1)		LTL or Tandem Tilt Deck Truck

# STERLING CRANE



	IC-80-1E	IC-80-2E	IC-80-3E
A	28' 2"	31' 9"	37' 5"
B	22' 6"	25' 0"	28' 9"
C	16' 11"	18' 2"	20' 0"
D	20' 2"	24' 0"	30' 0"
E	8' 2"	9' 6"	11' 6"
F	1' 7"	2' 11"	4' 11"
G	14' 1"	15' 5"	17' 6"