



## TRANSPORTATION SPECS - Hydraulic Truck Cranes

### GROVE MODEL TMS875C - 75 TON CAPACITY

#### COMPONENT WEIGHTS

	<u>LBS.</u>	<u>KGS.</u>			
Complete Crane ( c/w counterweights, jib, block & ball)	106,810	48 391			
Main Unit c/w 110' boom, main and auxiliary hoists w/rope and w/o counterweights, block and ball	84,172	38 180			
Counterweight Max.	18,000	8 167			

#### ADDITIONAL INFORMATION

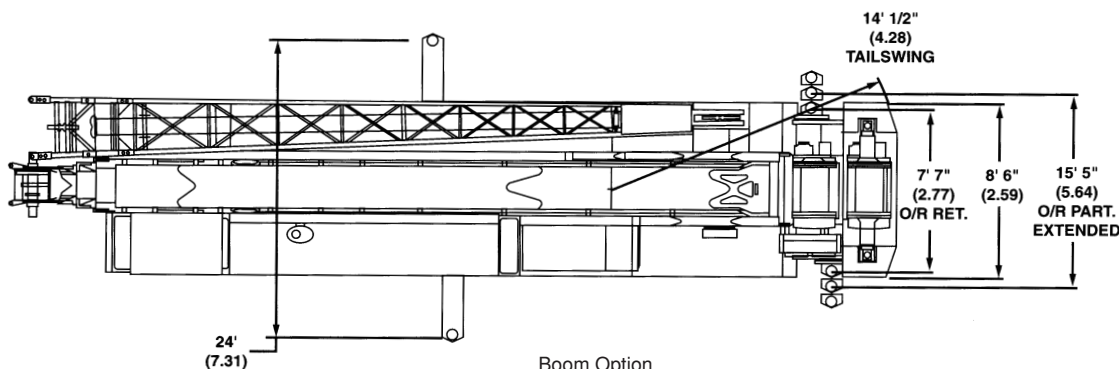
75 Ton Block (6 Sheave)	1,711	776			
10 Ton Ball	560	254			
Swingaway Jib 31' – 56' Bifold Extension	2,240	1 016			
Rooster Sheave	127	58			
Counterweights: 1	5,00	2 495			
1	3,000	1 361			
1	9,500	4 309			
Tire Size: Front: 445/65R22.5 Rear: 315/80R22.5					
Main Load Line 3/4" x 620' (19mm x 189m)	645	293			
Auxiliary Hoist Line 3/4" x 620' (19mm x 189m)	645	293			

#### TRANSPORTATION

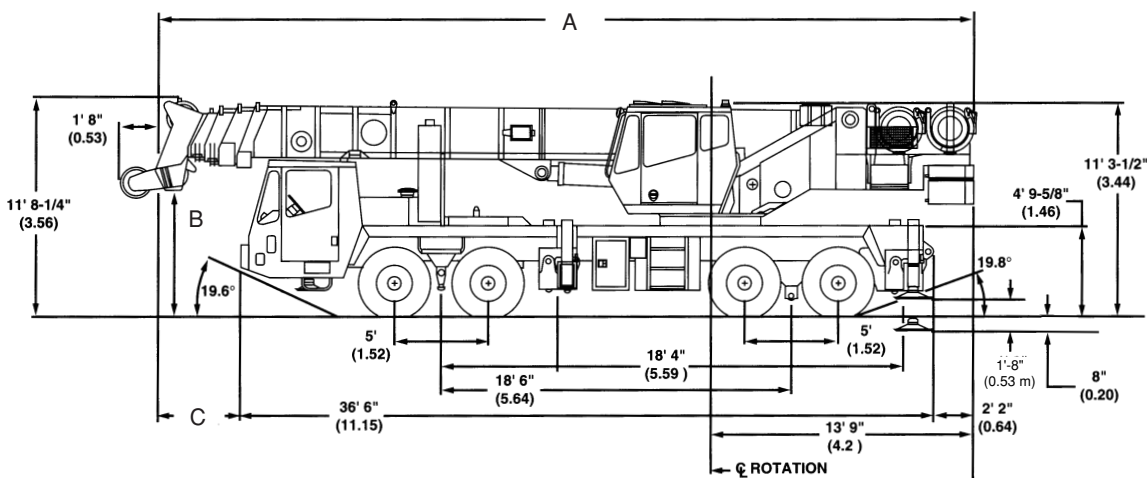
Maximum Speed:	60 km/hr 37.5 mph				
----------------	----------------------	--	--	--	--

# STERLING CRANE

## Dimensions



	110'	125'	138'
A	43' 4"	47' 5"	43' 3"
B	5' 11"	6' 0"	7' 0"
C	4' 4"	8' 5"	4' 3"



Axle/Tire Allowable Weights	GVW		Front		Rear	
	lb.	kg	lb.	kg	lb.	kg
	109,200	49,533	49,200	22,317	60,000	27,216
TMS875C Basic Machine with 110 ft. boom, main and auxiliary hoists w/ rope, and no counterweight.	79,961	36,270	34,392	15,600	45,569	20,670
Add: 3,000 lb. counterweight (superstructure)	3,000	1,361	-1,353	-614	4,353	1,975
Add: 5,500 lb. counterweight (superstructure)	5,500	2,495	-2,480	-1,125	7,980	3,620
Add: 9,500 lb. counterweight (superstructure)	9,500	4,309	-4,284	-1,943	13,784	6,252
Add: 3,000 lb. counterweight (carrier)	3,000	1,361	2,704	1,227	296	134
Add: 5,500 lb. counterweight (carrier)	5,500	2,495	4,958	2,249	542	246
Add: 9,500 lb. counterweight (carrier)	9,500	4,309	8,564	3,885	936	425
Add: 75 ton, 6 sheave hookblock (stowed in trough)	1,711	776	2,443	1,108	-732	-332
Add: 45 ton, 3 sheave hookblock (stowed in trough)	830	376	1,185	538	-355	-161
Add: 10 ton headache ball (stowed in trough)	560	254	800	363	-240	-109
Substitute: 125 ft. Boom	3,970	1,801	5,100	2,313	-1,130	-515
Substitute: 138 ft. Boom	4,211	1,910	2,971	1,348	1,240	562
Remove: Auxiliary hoist cable	-775	-352	347	157	-1,122	-509

### 110 ft. and 138 ft. Boom Options

Add: 31 ft. Fixed length extension	1,553	704	1,556	706	-3	-1
Add: 31 ft. - 56 ft. Bi-fold extension	2,240	1,016	1,973	895	267	121
Add: 31 ft. - 56 ft. Luffing bi-fold extension (138 ft. boom only)	3,122	1,416	3,298	1,496	-176	-80
Add: Auxiliary boom nose	127	58	234	106	-107	-49

### 125 ft. Boom Options

Add: 35 ft. Fixed length extension	2,154	977	2,362	1,071	-208	-94
Add: 35 ft. - 60 ft. telescopic extension	2,893	1,312	3,172	1,439	-279	-127
Add: Auxiliary boom nose	116	53	235	107	-119	-54