



TRANSPORTATION SPECS - Rough Terrain Cranes GROVE MODEL RT635C - 35 TON CAPACITY

COMPONENT WEIGHTS

		<u>LBS.</u>	<u>KGS.</u>
Complete Crane (Incl. Block, Ball and Jib)	(1)	63,151	28 705

ADDITIONAL INFORMATION

35 Ton Block, 3 Sheave		1,065	484
10 ton Ball		560	255
Tele Jib 29' – 51'		1,881	855
Main Load Line (5/8" x 451')		339	154
Auxiliary Load Line (5/8" x 451')		339	154
Tire Size (23.5 x R25)			

TRANSPORTATION

Primary Highways Only

Ontario

- All Seasons

(1) Tri-Axle

Alberta

- Spring Ban & Post Ban
- Summer, Fall & Winter

(1) 24 Wheel
(1) Tri-Axle

Saskatchewan (Primary Only)

- Summer
- Winter

(1) Tri-Axle
(1) Tandem

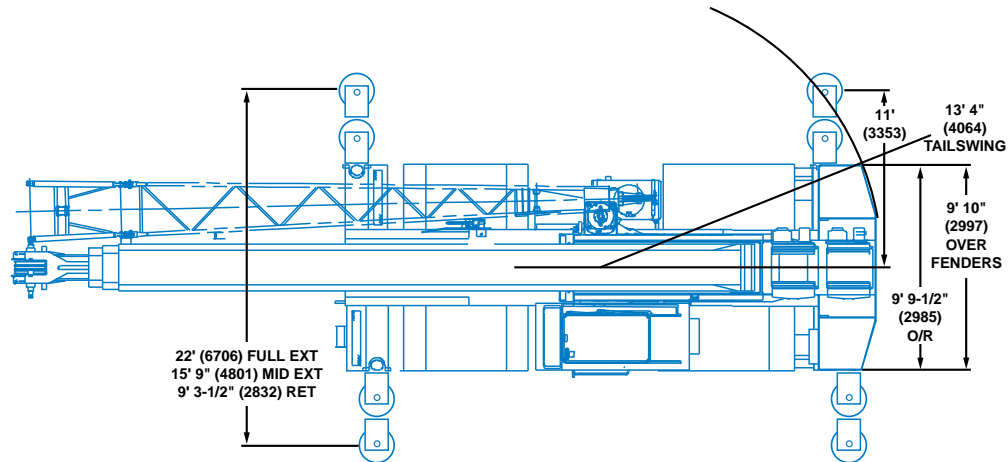
British Columbia

- Bans
- Post Ban

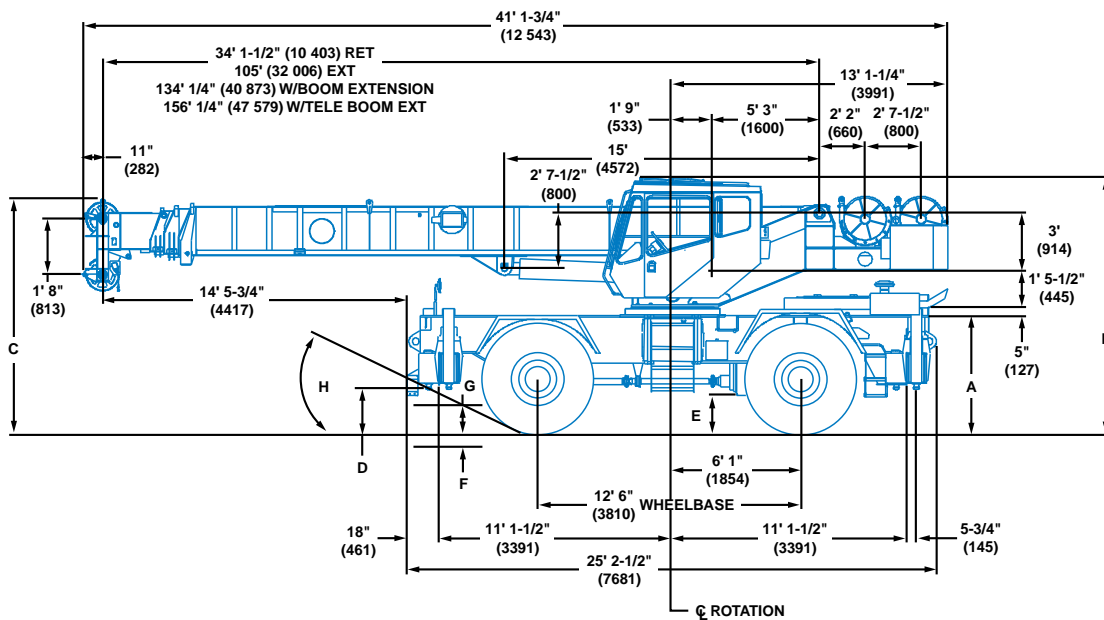
(1) 24 Wheel
(1) Tri-Axle

STERLING CRANE

Dimensions



	Tire Size	
	23.5 x 25	26.5 x 25
A	5' 4-1/4" (1631)	5' 5-1/2" (1661)
B	11' 11-1/2" (3645)	12' 2-1/4" (3715)
C	10' 10-3/4" (3323)	11' (3353)
D	1' 9-3/4" (553)	1' 4-1/4" (413)
E	1' 6-1/4" (464)	1' 7-1/2" (495)
F	5-3/4" (146)	1' 3-1/4" (387)
G	1' 3-1/4" (387)	9-3/4" (248)
H	24.6°	20°



Note: () Reference dimensions in mm

Turning Radius 20' (6096 mm) (23.5 Tires)

Front Axle Load 32,961 lbs. (14 951 kg)

Rear Axle Load 31,881 lbs. (14 461 kg)

Gross Vehicle Weight 64,842 lbs. (29 412 kg)