

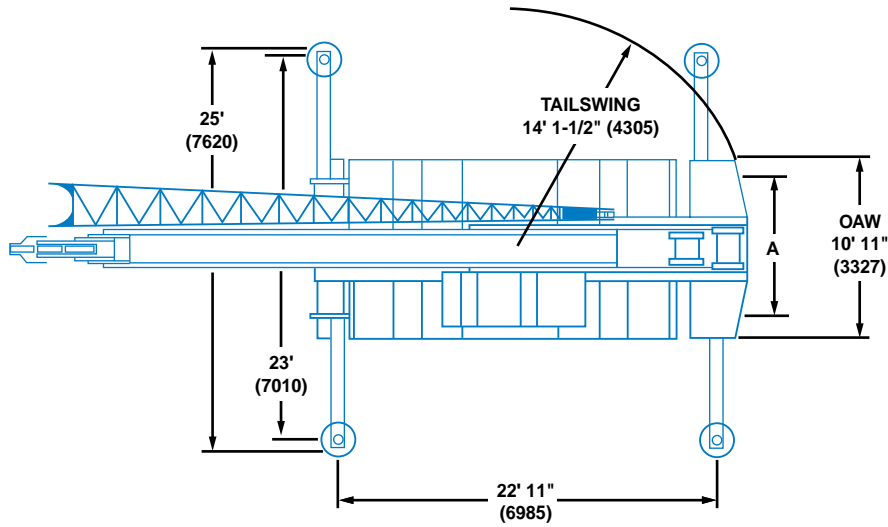


TRANSPORTATION SPECS - Rough Terrain Cranes GROVE MODEL RT760 - 60 TON CAPACITY

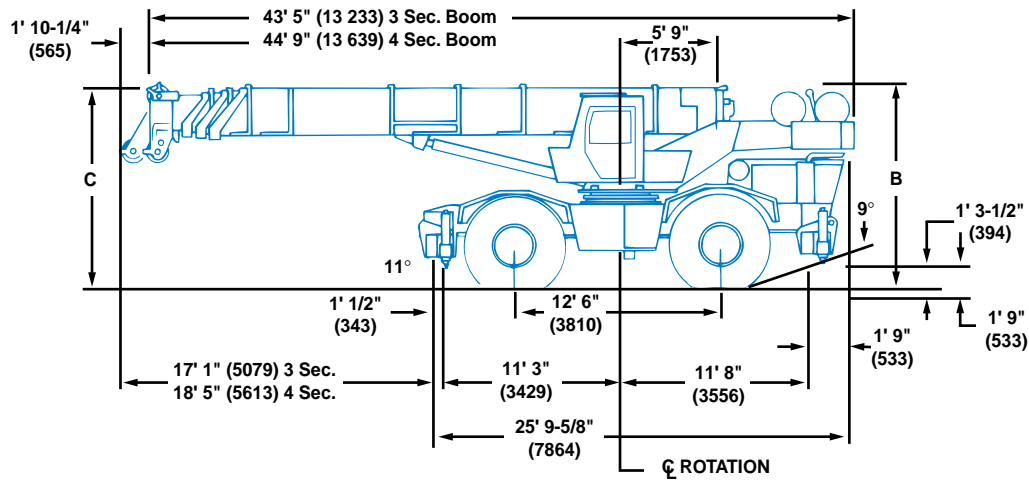
<u>COMPONENT WEIGHTS</u>	<u>LBS.</u>	<u>KGS.</u>
Complete Crane (Incl. Counterweight, Swing Jib, Block, and Ball)	90,855	41 212
Main Unit - 25' 10" / 46'9" x 10'11" x 12'9")	86,048	39 031
Counterweight c/w:		
- Main Hoist	12, 150	5 511
- Main & Auxiliary Hoist	13,900	6 305
 <u>ADDITIONAL INFORMATION</u>		
60 Ton Block, 5 Sheave Block	1,370	621
10 ton Ball	560	254
Two Stage Swingaway Jib (32' – 56')	2,907	1,319
Rooster Sheave	220	100
Tire Size 29.5R25	1,700	771
Main Load Line (3/4" x 550')	577	262
Auxiliary Load Line (3/4" x 500')	525	238

STERLING CRANE

Dimensions



TIRE SIZE	29.5 x 25
A (TRACK)	8' 2-1/2" (2502)
B (OAH)	12' 5" (3785)
C	12' 9" (3886)
GROUND CLEARANCE	1' 6-1/2" (470)



Note: () Dimensions are in mm.

Turning Radius 23' 4" (7100 mm)

Front Axle Load 45,805 lbs. (20 777 kg)

Rear Axle Load 45,080 lbs. (20 448 kg)

Gross Vehicle Weight 90,885 lbs. (41 225 kg)